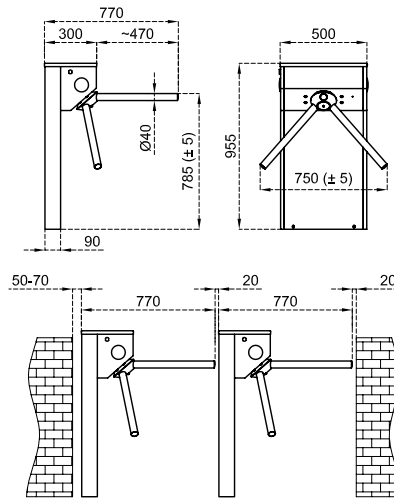




# 500 E



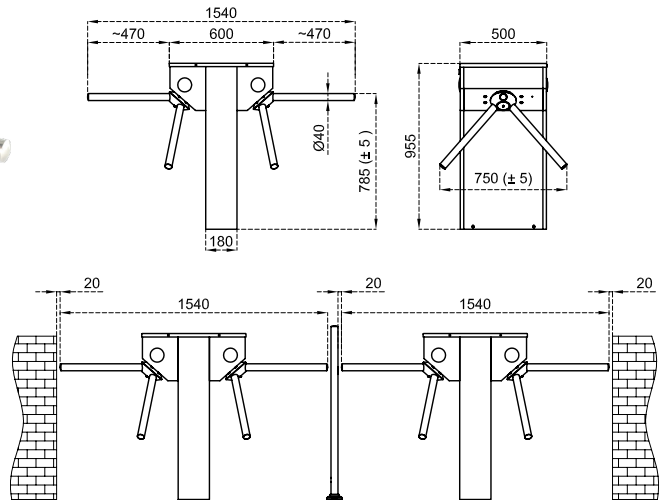
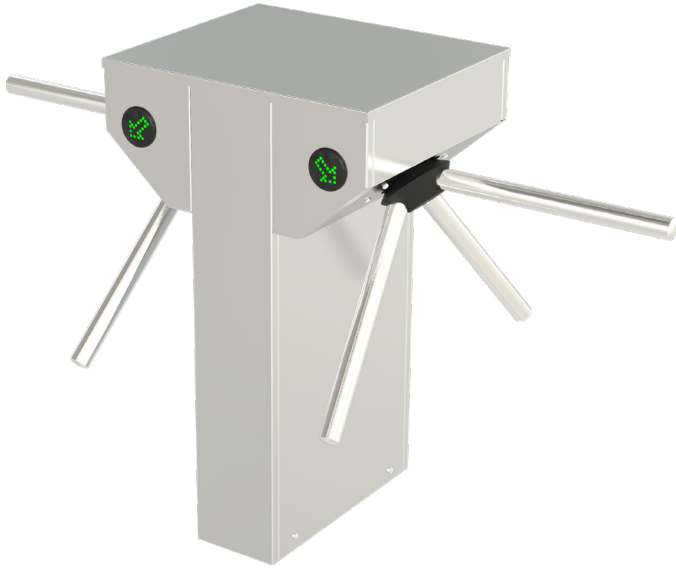
## Dimensions (mm)





## Technical Features

<b>Place of Use</b>	Indoors, outdoors
<b>Operating Temperature, Humidity</b>	-20°C/+68°C (opt. -50°C with heater positive), RH 95% non-condensing.
<b>Operating Intensity</b>	100%, 7/24 use.
<b>Body Features</b>	<b>Material</b> : 304 grade (opt. 316 grade) stainless steel. <b>Finishing</b> : Orbital brushed matt (opt. electrostatic powder coating on stainless steel).
<b>Arms</b>	<b>Automatic Drop (Retractable) Arm</b> : Optional <b>Material</b> : Ø40x2 mm 304 grade (opt. 316 grade) stainless steel, one by one demountable. <b>Finishing</b> : Satine brushed (opt. orbital brushed matt, electrostatic powder coating on stainless steel)
<b>Indicators</b>	<b>Side Status / Direction Indicators</b> :   LED, standard.
<b>Power</b>	<b>Operating Voltage</b> : 110/220V AC 50/60 Hz. (%±10), 24V DC. <b>Consumption</b> : ~3,1W at stand-by, during passage ~2,6W (varies according to the options and accessories used).
<b>Operating Modes</b>	System operates bi-directionally (entry-exit). Operating modes can be adjusted through the buttons and screen on the control card. Entry - exit controlled      Entry controlled, exit free      Entry free, exit controlled Single input both directions use      Entry - exit free
<b>Operating System</b>	Electromechanical manual operation (opt. electromechanical motorized operation).
<b>Control System</b>	All functions, parameters and operating modes can be adjusted through the buttons and screen on the control card. All inputs are opto-coupler protected. Controllable by dry contact (ground control). Compatible with all kinds of access control device. Optional RS232, RS485 or TCP/IP module is available.
<b>Flow Rate</b>	<b>Capacity of mechanism (manual)</b> : Max. 82 cycle/min. <b>Nominal</b> : ~30 pass/min. <b>Capacity of mechanism (motorized)</b> : Max. 75 cycle/min. <b>Nominal</b> : ~25 pass/min. (Passage rate can change depending on the access control system utilized)
<b>Emergency Mode</b>	System allows free passage (entry-exit) in both directions (fail safe). Works compatible with fire warning and similar systems. At the end of an emergency situation, system returns to its normal operating mode.
<b>Power-off Situation</b>	System allows free passage (entry-exit) in both directions (fail safe). Optionally, can be set (fail secure) as; entry-exit locked, entry free-exit locked, or entry locked-exit free. Free passage in chosen direction by manual override key in fail secure option is available.
<b>Weight</b>	~29 kg
<b>Optional Features and Accessories</b>	Automatic drop (retractable) arm, motor driven unit, wireless remote control (receiver-transmitter), manual control, manual override key (with fail secure option), coin slot and coin box, single/multiple intelligent coin/token slot and box, counter (with/without reset), card reader mounting bracket, photocell alarm sensor, passage completion sensor, contactless passage sensor (for motorized models), heater positive, top lid weight sensor, bottom plate, battery back-up, 316 grade stainless steel, RS232-RS485-TCP/IP modules, limiter, top passage indicator, electrostatic powder coating on stainless steel.

## Dimensions (mm)



## Technical Features

<b>Place of Use</b>	Indoors, outdoors
<b>Operating Temperature, Humidity</b>	-20°C/+68°C (opt. -50°C with heater positive), RH 95% non-condensing.
<b>Operating Intensity</b>	100%, 7/24 use.
<b>Body Features</b>	<b>Material</b> : 304 grade (opt. 316 grade) stainless steel. <b>Finishing</b> : Orbital brushed matt (opt. electrostatic powder coating on stainless steel).
<b>Arms</b>	<b>Automatic Drop (Retractable) Arm</b> : Optional <b>Material</b> : Ø40x2 mm 304 grade (opt. 316 grade) stainless steel, one by one demountable. <b>Finishing</b> : Satine brushed (opt. orbital brushed matt, electrostatic powder coating on stainless steel)
<b>Indicators</b>	<b>Side Status / Direction Indicators</b> :   LED, standard.
<b>Power</b>	<b>Operating Voltage</b> : 110/220V AC 50/60 Hz. (%±10), 24V DC. <b>Consumption</b> : ~6,2W at stand-by, during passage ~2,6+2,6W (varies according to the options and accessories used).
<b>Operating Modes</b>	System operates bi-directionally (entry-exit). Operating modes can be adjusted through the buttons and screen on the control card. Entry - exit controlled      Entry controlled, exit free      Entry free, exit controlled Single input both directions use      Entry - exit free
<b>Operating System</b>	Electromechanical manual operation (opt. electromechanical motorized operation).
<b>Control System</b>	All functions, parameters and operating modes can be adjusted through the buttons and screen on the control card. All inputs are opto-coupler protected. Controllable by dry contact (ground control). Compatible with all kinds of access control device. Optional RS232, RS485 or TCP/IP module is available.
<b>Flow Rate</b>	<b>Capacity of mechanism (manual)</b> : Max. 164 cycle/min. <b>Nominal</b> : ~60 pass/min. <b>Capacity of mechanism (motorized)</b> : Max. 150 cycle/min. <b>Nominal</b> : ~50 pass/min. (Passage rate can change depending on the access control system utilized)
<b>Emergency Mode</b>	System allows free passage (entry-exit) in both directions (fail safe). Works compatible with fire warning and similar systems. At the end of an emergency situation, system returns to its normal operating mode.
<b>Power-off Situation</b>	System allows free passage (entry-exit) in both directions (fail safe). Optionally, can be set (fail secure) as; entry-exit locked, entry free-exit locked, or entry locked-exit free. Free passage in chosen direction by manual override key in fail secure option is available.
<b>Weight</b>	~46 kg
<b>Optional Features and Accessories</b>	Automatic drop (retractable) arm, motor driven unit, wireless remote control (receiver-transmitter), manual control, manual override key (with fail secure option), coin slot and coin box, single/multiple intelligent coin/token slot and box, counter (with/without reset), card reader mounting bracket, photocell alarm sensor, passage completion sensor, contactless passage sensor (for motorized models), heater positive, top lid weight sensor, bottom plate, battery back-up, 316 grade stainless steel, RS232-RS485-TCP/IP modules, limiter, top passage indicator, electrostatic powder coating on stainless steel.