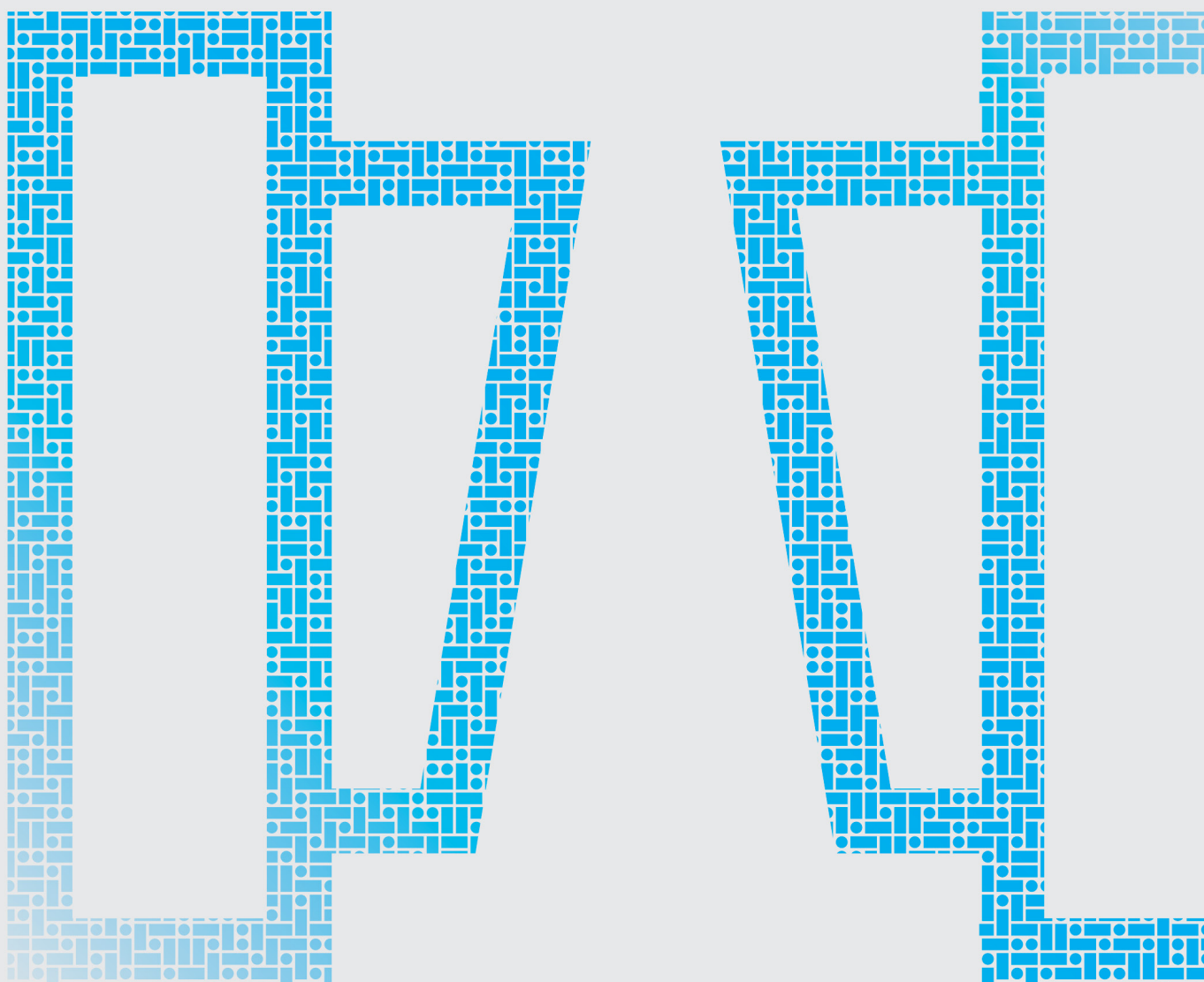


PEDESTRIAN ACCESS CONTROL SYSTEMS



Turnstiles, speed gates and high security solutions



CAME 
ÖZAK

[CAME.COM/OZAK](https://www.came.com/ozak)

CAME  **ÖZAK**

GENERAL INDEX

3	GENERAL INDEX
4	A NEW WAY OF THINKING, A NEW WAY OF DOING
5	VISION & MISSION
6	FOREVER INNOVATORS
7	THE CAME OFFER
8	ACCESS CONTROL
10	OUR WORLDWIDE NETWORK
12	EXTENSIVE SOLUTIONS OVER 40 YEARS FOR SECURITY AND WELL-BEING OF THE PEOPLE AROUND THE GLOBE.
13	CAME ÖZAK TIMELINE

15 WAIST HEIGHT TURNSTILES

16	602
17	602 D
20	500 E
21	500 E D
23	702 R N1
26	700 E N1
27	700 E N1 D

31 TURNSTILES FOR REDUCED MOBILITY

32	605
33	605 D
34	705 E N1
35	705 E N1 D

39 FREE PASSAGE TURNSTILES

40	SWG 101
41	MRKT 404

43 SPEED GATES

44	HG 01
46	HG 02 EU
50	HG 02 DP EU
52	SG 55 SLIDING GATE
56	SG 90 SLIDING GATE
58	PG 03 55 PADDLE GATE
60	PG 03 90 PADDLE GATE

63 GLASS LINE

64	GL A1
65	GL B1
67	GL A2
68	SALOON

71 HALF HEIGHT TURNSTILES

72	HT 400
73	HT 400 D

76 FULL HEIGHT TURNSTILES

78	BT 312
79	BT 312 D
80	BTX 300 N1
81	BTX 300 N1 D
84	BT ROOF 300
85	BT ROOF 300 D
86	BTC 300
87	BTC 300 D
88	BTG 300
89	BTG 300 D
92	BT 402
93	BT 402 D
94	BTX 400 N1
95	BTX 400 N1 D
98	BTC 400
99	BTC 400 D
100	BTG 400
101	BTG 400 D

103 EXIT GATES

104	BT 100 (MOTORIZED)
105	PEGA 100 (MANUAL)

107 GLASS FULL HEIGHT SERIES

108	BT 302 GL
109	BT 402 GL

111 HIGH SECURITY SERIES

112	CGG - SQ - AIR
118	ACCESSORIES
119	CUSTOMISATIONS

A NEW WAY OF THINKING, A NEW WAY OF DOING

If we think differently, we act differently, in a way that simplifies the lives of people and improves the work of professionals, creating skills and investing in research generating global solutions.

We help our end customers by providing them with safe, efficient and convenient solutions to improve the quality of their living spaces, whether private or public.

We do this thanks to the know-how and expertise of our global network; we are a global benchmark for automation, smart homes, access control and security, and parking systems.



VISION

We believe in a world
where sustainable technological innovation
makes people's lives
more comfortable, simple and secure

MIS SION

To create a global offer
of high-quality technological products and solutions
for automation, smart homes, access control and security
to improve our customers lives
and our partners business

FOREVER INNOVATORS

For over 50 years, we at CAME have designed and produced high-quality technological products and solutions for the comfort and security of people in residential, public and business environments.

Thanks to the trust of our customers, we have become a go-to brand and global partner for automation, smart homes, access control and security, and parking systems.

We have capitalised on our experience and built quality relationships with many professionals, who have become ambassadors of CAME's values, bringing cutting edge technology into the lives of our customers around the world.

Our innovations translated into solutions for people become strategic for defining the scenarios of planning and living the future.



RESIDENTIAL SOLUTIONS



We have gone on to develop an idea of home automation that is increasingly integrated and connected with people's lives. Today, automation is at the heart of the home, managing entrances and garage doors, controlling blinds and shutters, video entry systems and climate control.



BUSINESS SOLUTIONS



For every public area, we offer the most sophisticated systems for pedestrian and vehicle access control and security, video entry systems and parking solutions. Small and large companies, commercial enterprises, large buildings: CAME-branded automation provide control and safety in both small and large working environments.

URBAN SOLUTIONS



The complexity involved in living spaces and in mobility flows require ever greater protection and security, plus enhanced reactive capacity and greater know-how. Our offer is geared to meet the different automation needs for urban planning and architectural scenarios. CAME solutions are engineered for managing safety and control in large works and for contributing to the planning of urban spaces making them "Safe and Smart", as called for in today's fast-paced, metropolitan centres.



ACCESS CONTROL

Our experience, competency, and innovation drive us to provide world-class, cutting-edge solutions for controlling busy access points, exposition and urban venues.

We offer access control solutions with a sophisticated design, but above all open to the integration with third-party technologies.





SPEED GATES

The compact design and fast opening speed make speed gates the ideal solution for settings where the flow of people is high and security must be provided efficiently. They are used in crowded places such as train stations, airports, shopping malls and entertainment venues and can be integrated with biometric recognition systems, smart cards or QR codes, providing an additional level of security.



FULL-HEIGHT TURNSTILES

Full-height turnstiles are the ideal solution to ensure pedestrian access control and maximum security for the places and people inside them. They are suitable for facilities such as stadiums, airports, stations, sports facilities or governmental offices.



ACCESS CONTROL SYSTEM

CAME offers solutions for the management of both pedestrian and vehicle access points combining ease and versatility of use. These flexible systems make it possible to control both a single gateway and a multiaccess system, ensuring that up to 10,000 users can be managed at each site.

OUR WORLDWIDE NETWORK

BRANCHES AMERICA

Brazil
Canada
Mexico
USA

CAME is a technological partner for those projects that require integrated systems for improving the quality of our living spaces, whether private or public, with products designed for controlling the home, managing urban and business environments.

We are a worldwide network. From our Treviso Headquarters, the heart of the Group, we coordinate **10 manufacturing plants** and **4 R&D centres**. We have more than **25 subsidiaries** and **40 warehouses worldwide**.

Thanks to our commercial partners and distributors, **we operate in more than 110 countries** with an integrated and global vision.

Our Group shares common goals, which go well beyond our respective specializations: thanks to the synergies that exist among all the divisions and brands, we share a modus operandi that enriches our diversity.

CAME † CAME † URBACO CAME † PARKARE CAME † ÖZAK
CAME † KMS CAME † NEPOS CAME † ENTROTEC



2023 TURNOVER
(MLN EUROS)



PRODUCTION
PLANTS



R&D CENTRES



DIRECT
BRANCHES



COUNTRIES WITH
PARTNERS AND
DISTRIBUTORS



WAREHOUSES IN
THE WORLD

BRANCHES EUROPE

Italy	Poland
Belgium	Portugal
Croatia	Russia
France	Spain
Germany	UK
Ireland	Türkiye
Netherlands	

CAME HEADQUARTERS

Treviso, Italy

BRANCHES ASIA

United Arab Emirates
China

EXTENSIVE SOLUTIONS OVER 40 YEARS FOR SECURITY AND WELL-BEING OF THE PEOPLE AROUND THE GLOBE.



CAME ÖZAK, a global player, has incorporated one of the widest range of products offering solutions in pedestrian and vehicle access control fields. We owe our success to our talented designers and engineers along with our flexible manufacturing processes.

Understanding needs of the people, thus providing customised solutions tailored to expectations has made our offering a choice for numerous residential, governmental, urban and sports facilities. Our fully integratable, user friendly and high performance solutions are available with our solution partners all over the world.

TIMELINE

1976



Foundation

Ozak was founded by Ozalp Family.

1989



First Turnstile

Started to produce turnstiles and gates.

2006



Increase in Production

Reached 1.000 units per year.

2008



Facility Expansion

Production facilities reached 2.700 m² from 500 m².

2009



New Segment

Launched Road Blocker & Bollards products.

2010



Facility Expansion

Production facilities reached 3.600 m² from 2.700 m².

2012



Growth in Export Markets

Export sales reached more than 50% of turnover.

2013



Increase in Production

Reached 5.000 units per year.

2018



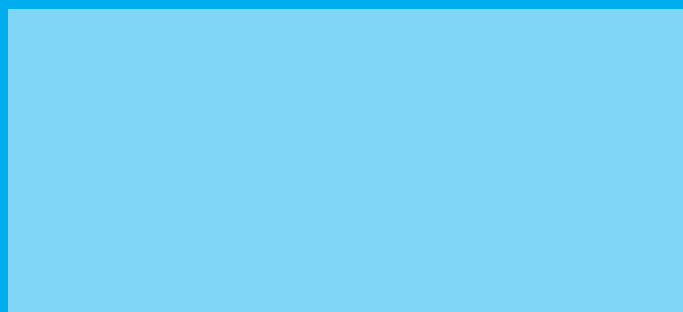
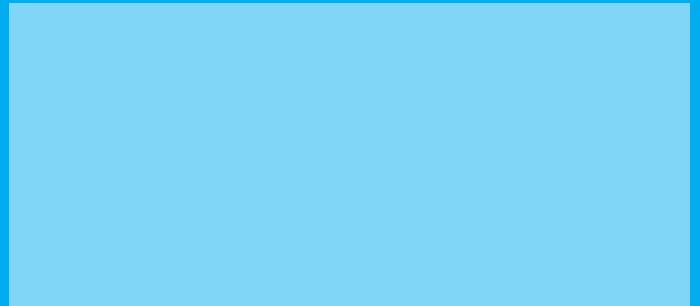
Facility Expansion

Production facilities reached 33.700 m² of which 21.000 m² is covered area.

2019

CAME  **ÖZAK**

Özak becomes part of CAME.

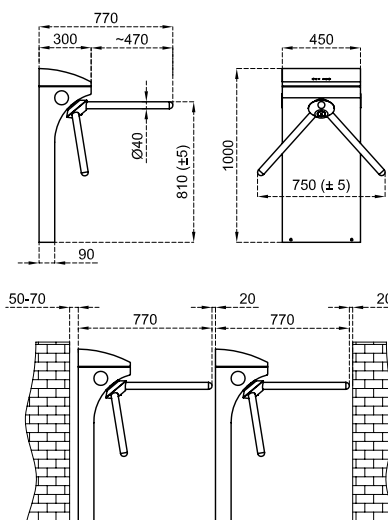


WAIST HEIGHT TURNSTILES

16	602
17	602 D
20	500 E
21	500 E D
23	702 R N1
26	700 E N1
27	700 E N1 D

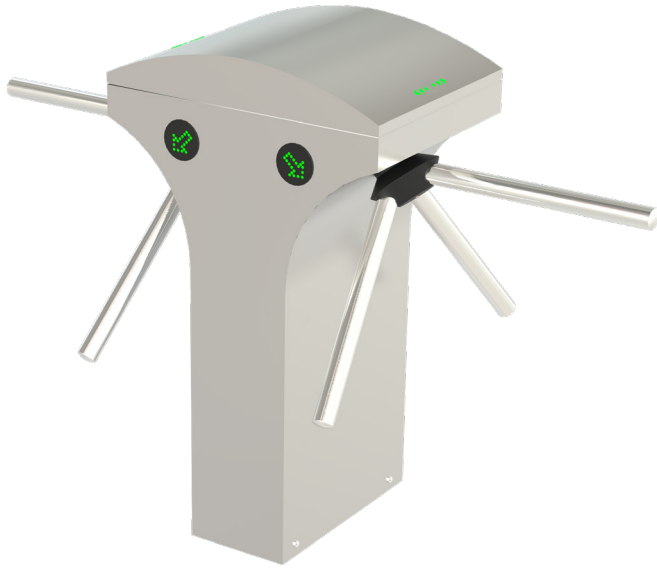


Dimensions (mm)

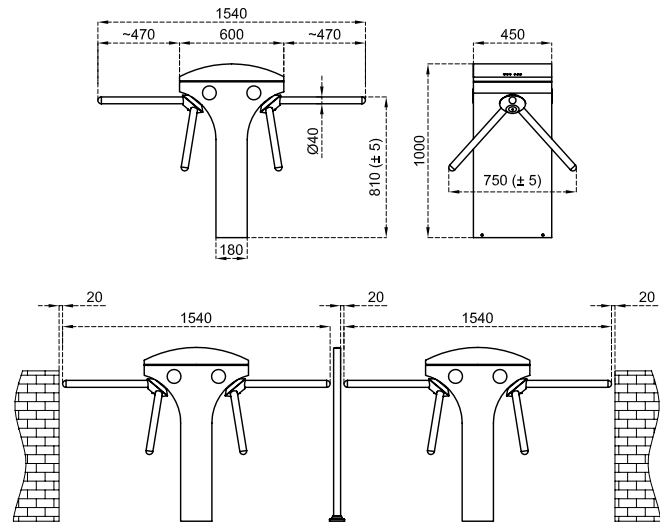


Technical Features

Place of Use	Indoors, outdoors.
Operating Temperature, Humidity	-20°C/+68°C (opt. -50°C with heater positive), RH 95% non-condensing.
Operating Intensity	100%, 7/24 use.
Body Features	Material : 304 grade (opt. 316 grade) stainless steel. Finishing : Orbital brushed matt (opt. electrostatic powder coating on stainless steel).
Arms	Automatic Drop (Retractable) Arm : Optional Material : Ø40x2 mm 304 grade (opt. 316 grade) stainless steel, one by one demountable. Finishing : Satine brushed (opt. orbital brushed matt, electrostatic powder coating on stainless steel).
Indicators	Side Status / Direction Indicators : LED, standard. Top Passage Indicator : LED, standard.
Power	Operating Voltage : 110/220V AC 50/60 Hz. (%±10), 24V DC. Consumption : ~3,4W at stand-by, during passage ~2,7W (varies according to the options and accessories used).
Operating Modes	System operates bi-directionally (entry-exit). Operating modes can be adjusted through the buttons and screen on the control card. Entry - exit controlled Entry controlled, exit free Entry free, exit controlled Single input both directions use Entry - exit free
Operating System	Electromechanical manual operation (opt. electromechanical motorized operation).
Control System	All functions, parameters and operating modes can be adjusted through the buttons and screen on the control card. All inputs are opto-coupler protected. Controllable by dry contact (ground control). Compatible with all kinds of access control device. Optional RS232-RS485-TCP/IP module is available.
Flow Rate	Capacity of mechanism (manual) : Max. 82 cycle/min. Nominal : ~30 pass/min. Capacity of mechanism (motorized) : Max. 75 cycle/min. Nominal : ~25 pass/min. (Passage rate can change depending on the access control system utilized)
Emergency Mode	System allows free passage (entry-exit) in both directions (fail safe). Works compatible with fire warning and similar systems. At the end of an emergency situation, system returns to its normal operating mode.
Power-off Situation	System allows free passage (entry-exit) in both directions (fail safe). Optionally, can be set (fail secure) as; entry-exit locked, entry free-exit locked, or entry locked-exit free. Free passage in chosen direction by manual override key in fail secure option is available.
Weight	~35 kg
Optional Features and Accessories	Automatic drop (retractable) arm, motor driven unit, wireless remote control (receiver-transmitter), manual control, manual override key (with fail secure option), coin slot and coin box, single/multiple intelligent coin/token slot and box, counter (with/without reset), card reader mounting bracket, photocell alarm sensor, passage completion sensor, contactless passage sensor (for motorized models), heater positive, top lid weight sensor, bottom plate, battery back-up, 316 grade stainless steel, RS232-RS485-TCP/IP modules, limiter, electrostatic powder coating on stainless steel.



Dimensions (mm)



Technical Features

Place of Use	Indoors, outdoors.
Operating Temperature, Humidity	-20°C/+68°C (opt. -50°C with heater positive), RH 95% non-condensing.
Operating Intensity	100%, 7/24 use.
Body Features	Material : 304 grade (opt. 316 grade) stainless steel. Finishing : Orbital brushed matt (opt. electrostatic powder coating on stainless steel).
Arms	Automatic Drop (Retractable) Arm : Optional Material : Ø40x2 mm 304 grade (opt. 316 grade) stainless steel, one by one demountable. Finishing : Satine brushed (opt. orbital brushed matt, electrostatic powder coating on stainless steel).
Indicators	Side Status / Direction Indicators : LED, standard. Top Passage Indicator : LED, standard.
Power	Operating Voltage : 110/220V AC 50/60 Hz. (%±10), 24V DC. Consumption : ~6,8W at stand-by, during passage ~2,7+2,7W (varies according to the options and accessories used).
Operating Modes	System operates bi-directionally (entry-exit). Operating modes can be adjusted through the buttons and screen on the control card. Entry - exit controlled Entry controlled, exit free Entry free, exit controlled Single input both directions use Entry - exit free
Operating System	Electromechanical manual operation (opt. electromechanical motorized operation).
Control System	All functions, parameters and operating modes can be adjusted through the buttons and screen on the control card. All inputs are opto-coupler protected. Controllable by dry contact (ground control). Compatible with all kinds of access control device. Optional RS232-RS485-TCP/IP module is available.
Flow Rate	Capacity of mechanism (manual) : Max. 164 cycle/min. Nominal : ~60 pass/min. Capacity of mechanism (motorized) : Max. 150 cycle/min. Nominal : ~50pass/min. (Passage rate can change depending on the access control system utilized)
Emergency Mode	System allows free passage (entry-exit) in both directions (fail safe). Works compatible with fire warning and similar systems. At the end of an emergency situation, system returns to its normal operating mode.
Power-off Situation	System allows free passage (entry-exit) in both directions (fail safe). Optionally, can be set (fail secure) as; entry-exit locked, entry free-exit locked, or entry locked-exit free. Free passage in chosen direction by manual override key in fail secure option is available.
Weight	~55 kg
Optional Features and Accessories	Automatic drop (retractable) arm, motor driven unit, wireless remote control (receiver-transmitter), manual control, manual override key (with fail secure option), coin slot and coin box, single/multiple intelligent coin/token slot and box, counter (with/without reset), card reader mounting bracket, photocell alarm sensor, passage completion sensor, contactless passage sensor (for motorized models), heater positive, top lid weight sensor, bottom plate, battery back-up, 316 grade stainless steel, RS232-RS485-TCP/IP modules, limiter, electrostatic powder coating on stainless steel.

*Design and specifications are subject to change without notice.

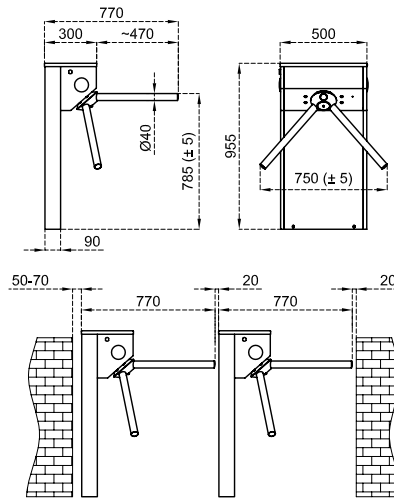






500 E



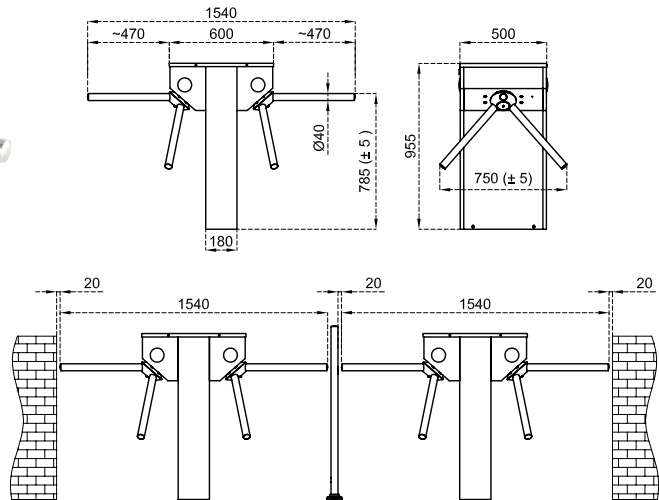
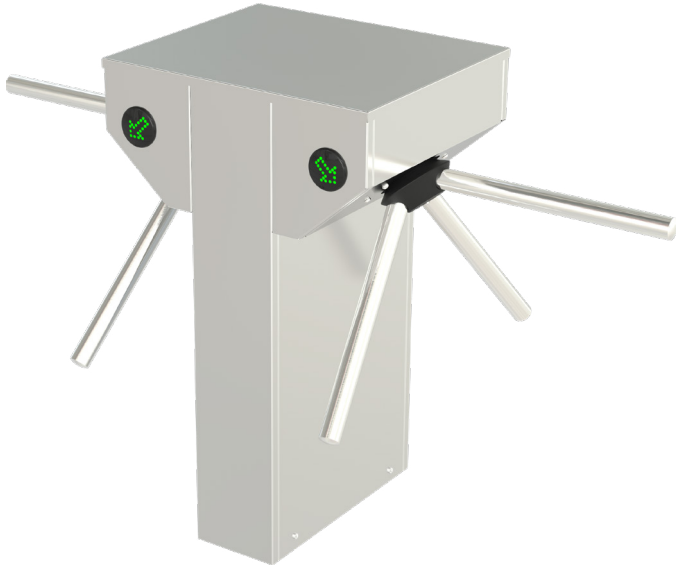
Dimensions (mm)





Technical Features

Place of Use	Indoors, outdoors
Operating Temperature, Humidity	-20°C/+68°C (opt. -50°C with heater positive), RH 95% non-condensing.
Operating Intensity	100%, 7/24 use.
Body Features	Material : 304 grade (opt. 316 grade) stainless steel. Finishing : Orbital brushed matt (opt. electrostatic powder coating on stainless steel).
Arms	Automatic Drop (Retractable) Arm : Optional Material : Ø40x2 mm 304 grade (opt. 316 grade) stainless steel, one by one demountable. Finishing : Satine brushed (opt. orbital brushed matt, electrostatic powder coating on stainless steel)
Indicators	Side Status / Direction Indicators :   LED, standard.
Power	Operating Voltage : 110/220V AC 50/60 Hz. (%±10), 24V DC. Consumption : ~3,1W at stand-by, during passage ~2,6W (varies according to the options and accessories used).
Operating Modes	System operates bi-directionally (entry-exit). Operating modes can be adjusted through the buttons and screen on the control card. Entry - exit controlled Entry controlled, exit free Entry free, exit controlled Single input both directions use Entry - exit free
Operating System	Electromechanical manual operation (opt. electromechanical motorized operation).
Control System	All functions, parameters and operating modes can be adjusted through the buttons and screen on the control card. All inputs are opto-coupler protected. Controllable by dry contact (ground control). Compatible with all kinds of access control device. Optional RS232, RS485 or TCP/IP module is available.
Flow Rate	Capacity of mechanism (manual) : Max. 82 cycle/min. Nominal : ~30 pass/min. Capacity of mechanism (motorized) : Max. 75 cycle/min. Nominal : ~25 pass/min. (Passage rate can change depending on the access control system utilized)
Emergency Mode	System allows free passage (entry-exit) in both directions (fail safe). Works compatible with fire warning and similar systems. At the end of an emergency situation, system returns to its normal operating mode.
Power-off Situation	System allows free passage (entry-exit) in both directions (fail safe). Optionally, can be set (fail secure) as; entry-exit locked, entry free-exit locked, or entry locked-exit free. Free passage in chosen direction by manual override key in fail secure option is available.
Weight	~29 kg
Optional Features and Accessories	Automatic drop (retractable) arm, motor driven unit, wireless remote control (receiver-transmitter), manual control, manual override key (with fail secure option), coin slot and coin box, single/multiple intelligent coin/token slot and box, counter (with/without reset), card reader mounting bracket, photocell alarm sensor, passage completion sensor, contactless passage sensor (for motorized models), heater positive, top lid weight sensor, bottom plate, battery back-up, 316 grade stainless steel, RS232-RS485-TCP/IP modules, limiter, top passage indicator, electrostatic powder coating on stainless steel.

Dimensions (mm)



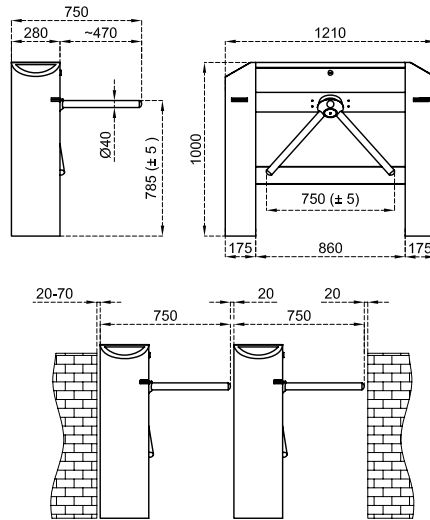
Technical Features

Place of Use	Indoors, outdoors
Operating Temperature, Humidity	-20°C/+68°C (opt. -50°C with heater positive), RH 95% non-condensing.
Operating Intensity	100%, 7/24 use.
Body Features	Material : 304 grade (opt. 316 grade) stainless steel. Finishing : Orbital brushed matt (opt. electrostatic powder coating on stainless steel).
Arms	Automatic Drop (Retractable) Arm : Optional Material : Ø40x2 mm 304 grade (opt. 316 grade) stainless steel, one by one demountable. Finishing : Satine brushed (opt. orbital brushed matt, electrostatic powder coating on stainless steel)
Indicators	Side Status / Direction Indicators :   LED, standard.
Power	Operating Voltage : 110/220V AC 50/60 Hz. (%±10), 24V DC. Consumption : ~6,2W at stand-by, during passage ~2,6+2,6W (varies according to the options and accessories used).
Operating Modes	System operates bi-directionally (entry-exit). Operating modes can be adjusted through the buttons and screen on the control card. Entry - exit controlled Entry controlled, exit free Entry free, exit controlled Single input both directions use Entry - exit free
Operating System	Electromechanical manual operation (opt. electromechanical motorized operation).
Control System	All functions, parameters and operating modes can be adjusted through the buttons and screen on the control card. All inputs are opto-coupler protected. Controllable by dry contact (ground control). Compatible with all kinds of access control device. Optional RS232, RS485 or TCP/IP module is available.
Flow Rate	Capacity of mechanism (manual) : Max. 164 cycle/min. Nominal : ~60 pass/min. Capacity of mechanism (motorized) : Max. 150 cycle/min. Nominal : ~50 pass/min. (Passage rate can change depending on the access control system utilized)
Emergency Mode	System allows free passage (entry-exit) in both directions (fail safe). Works compatible with fire warning and similar systems. At the end of an emergency situation, system returns to its normal operating mode.
Power-off Situation	System allows free passage (entry-exit) in both directions (fail safe). Optionally, can be set (fail secure) as; entry-exit locked, entry free-exit locked, or entry locked-exit free. Free passage in chosen direction by manual override key in fail secure option is available.
Weight	~46 kg
Optional Features and Accessories	Automatic drop (retractable) arm, motor driven unit, wireless remote control (receiver-transmitter), manual control, manual override key (with fail secure option), coin slot and coin box, single/multiple intelligent coin/token slot and box, counter (with/without reset), card reader mounting bracket, photocell alarm sensor, passage completion sensor, contactless passage sensor (for motorized models), heater positive, top lid weight sensor, bottom plate, battery back-up, 316 grade stainless steel, RS232-RS485-TCP/IP modules, limiter, top passage indicator, electrostatic powder coating on stainless steel.





Dimensions (mm)



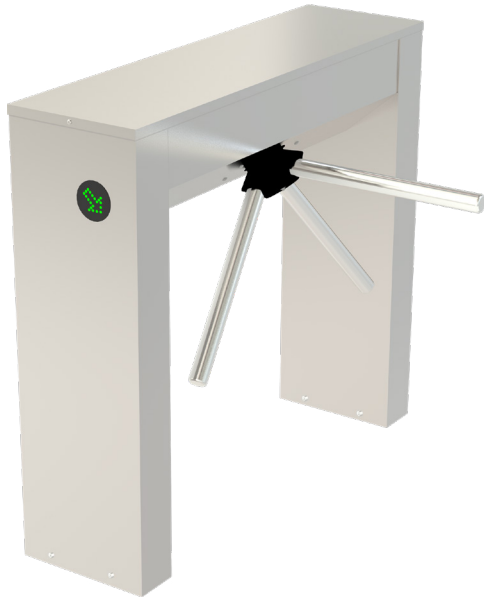
Technical Features

Place of Use	Indoors, outdoors
Operating Temperature, Humidity	-20°C/+68°C (opt. -50°C with heater positive), RH 95% non-condensing..
Operating Intensity	100%, 7/24 use.
Body Features	Material : 304 grade (opt. 316 grade) stainless steel. Finishing : Orbital brushed matt (opt. electrostatic powder coating on stainless steel).
Arms	Automatic Drop (Retractable) Arm : Standard Material : Ø40x1,2 mm 304 grade (opt. 316 grade) stainless steel, one by one demountable. Finishing : Satine brushed (opt. orbital brushed matt, electrostatic powder coating on stainless steel).
Indicators	Side Status /Direction Indicators : LED, standard. Top Passage Indicator : LED, standard.
Power	Operating Voltage : 110/220V AC 50/60 Hz. (%±10), 24V DC. Consumption : ~3,4W at stand-by, during passage ~2,7W (varies according to the options and accessories used).
Operating Modes	System operates bi-directionally (entry-exit). Operating modes can be adjusted through the buttons and screen on the control card. Entry - exit controlled Entry controlled, exit free Entry free, exit controlled Single input both directions use Entry - exit free
Operating System	Electromechanical motorized operation (opt. electromechanical manual operation).
Control System	All functions, parameters and operating modes can be adjusted through the buttons and screen on the control card. All inputs are opto-coupler protected. Controllable by dry contact (ground control). Compatible with all kinds of access control device. Optional RS232, RS485 or TCP/IP module is available.
Flow Rate	Capacity of mechanism (manual) : Max. 82 cycle/min. Nominal : ~30 pass/min. Capacity of mechanism (motorized) : Max. 75 cycle/min. Nominal : ~25 pass/min. (Passage rate can change depending on the access control system utilized)
Emergency Mode	System allows free passage (entry-exit) in both directions by the automatic drop arm (fail safe). Works compatible with fire warning and similar systems. At the end of an emergency situation, system returns to its normal operating mode.
Power-off Situation	System allows free passage (entry-exit) in both directions by the automatic drop arm (fail safe). Optionally, can be set (fail secure) as; entry-exit locked, entry free-exit locked, or entry locked-exit free. Free passage in chosen direction by manual override key in fail secure option is available.
Weight	~48 kg
Optional Features and Accessories	Wireless remote control (receiver-transmitter), manual control, manual override key (with fail secure option), coin slot and coin box, single/multiple intelligent coin/token slot and box, counter (with/without reset), card reader mounting bracket, photocell alarm sensor, passage completion sensor, contactless passage sensor, heater positive, top lid weight sensor, bottom plate, battery back-up, 316 grade stainless steel, RS232-RS485-TCP/IP modules, limiter, electrostatic powder coating on stainless steel, motorized card collector unit and card collection box.

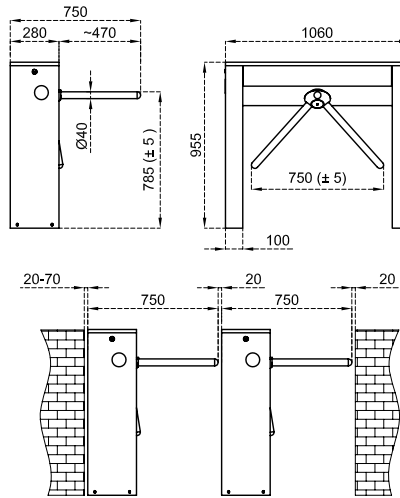






700 E N1



Dimensions (mm)

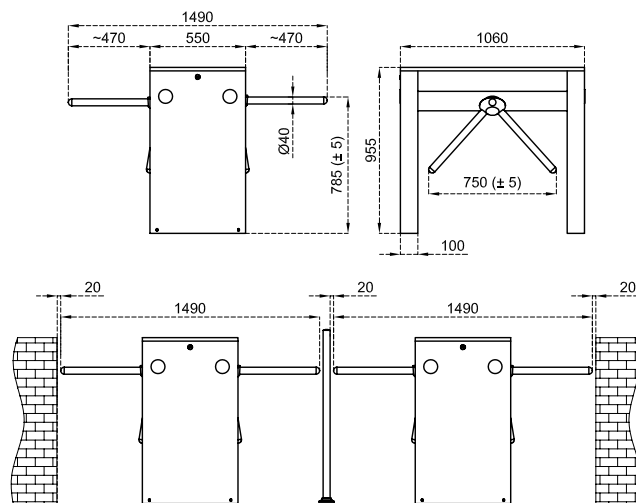


Technical Features



Place of Use	Indoors, outdoors
Operating Temperature, Humidity	-20°C/+68°C (opt. -50°C with heater positive), RH 95% non-condensing.
Operating Intensity	100%, 7/24 use.
Body Features	Material : 304 grade (opt. 316 grade) stainless steel. Finishing : Orbital brushed matt (opt. electrostatic powder coating on stainless steel).
Arms	Automatic Drop (Retractable) Arm : Optional Material : Ø40x2 mm 304 grade (opt. 316 grade) stainless steel, one by one demountable. Finishing : Satine brushed (opt. orbital brushed matt, electrostatic powder coating on stainless steel).
Indicators	Side Status /Direction Indicators :   LED, standard.
Power	Operating Voltage : 110/220V AC 50/60 Hz. (%±10), 24V DC. Consumption : ~3,1W at stand-by, during passage ~2,6W (varies according to the options and accessories used).
Operating Modes	System operates bi-directionally (entry-exit). Operating modes can be adjusted through the buttons and screen on the control card. Entry - exit controlled Entry controlled, exit free Entry free, exit controlled Single input both directions use Entry - exit free
Operating System	Electromechanical manual operation (opt. electromechanical motorized operation).
Control System	All functions, parameters and operating modes can be adjusted through the buttons and screen on the control card. All inputs are opto-coupler protected. Controllable by dry contact (ground control). Compatible with all kinds of access control device. Optional RS232, RS485 or TCP/IP module is available.
Flow Rate	Capacity of mechanism (manual) : Max. 82 cycle/min. Nominal : ~30 pass/min. Capacity of mechanism (motorized) : Max. 75 cycle/min. Nominal : ~25 pass/min. (Passage rate can change depending on the access control system utilized)
Emergency Mode	System allows free passage (entry-exit) in both directions (fail safe). Works compatible with fire warning and similar systems. At the end of an emergency situation, system returns to its normal operating mode.
Power-off Situation	System allows free passage (entry-exit) in both directions (fail safe). Optionally, can be set (fail secure) as; entry-exit locked, entry free-exit locked, or entry locked-exit free. Free passage in chosen direction by manual override key in fail secure option is available.
Weight	~35 kg
Optional Features and Accessories	Automatic drop (retractable) arm, motor driven unit, top passage indicator, wireless remote control (receiver-transmitter), manual control, manual override key (with fail secure option), coin slot and coin box, single/multiple intelligent coin/token slot and box, counter (with/without reset), card reader mounting bracket, photocell alarm sensor, passage completion sensor, contactless passage sensor (for motorized models), heater positive, top lid weight sensor, bottom plate, battery back-up, 316 grade stainless steel, RS232-RS485-TCP/IP modules, limiter, electrostatic powder coating on stainless steel, motorized card collector unit and card collection box.



Dimensions (mm)



Technical Features

Place of Use	Indoors, outdoors
Operating Temperature, Humidity	-20°C/+68°C (opt. -50°C with heater positive), RH 95% non-condensing.
Operating Intensity	100%, 7/24 use.
Body Features	Material : 304 grade (opt. 316 grade) stainless steel. Finishing : Orbital brushed matt (opt. electrostatic powder coating on stainless steel).
Arms	Automatic Drop (Retractable) Arm : Optional Material : Ø40x2 mm 304 grade (opt. 316 grade) stainless steel, one by one demountable. Finishing : Satine brushed (opt. orbital brushed matt, electrostatic powder coating on stainless steel).
Indicators	Side Status /Direction Indicators :   LED, standard.
Power	Operating Voltage : 110/220V AC 50/60 Hz. (%±10), 24V DC. Consumption : ~6,2W at stand-by, during passage ~2,6+2,6W (varies according to the options and accessories used).
Operating Modes	System operates bi-directionally (entry-exit). Operating modes can be adjusted through the buttons and screen on the control card. Entry - exit controlled Entry controlled, exit free Entry free, exit controlled Single input both directions use Entry - exit free
Operating System	Electromechanical manual operation (opt. electromechanical motorized operation).
Control System	All functions, parameters and operating modes can be adjusted through the buttons and screen on the control card. All inputs are opto-coupler protected. Controllable by dry contact (ground control). Compatible with all kinds of access control device. Optional RS232, RS485 or TCP/IP module is available.
Flow Rate	Capacity of mechanism (manual) : Max. 164 cycle/min. Nominal : ~60 pass/min. Capacity of mechanism (motorized) : Max. 150 cycle/min. Nominal : ~50 pass/min. (Passage rate can change depending on the access control system utilized)
Emergency Mode	System allows free passage (entry-exit) in both directions (fail safe). Works compatible with fire warning and similar systems. At the end of an emergency situation, system returns to its normal operating mode.
Power-off Situation	System allows free passage (entry-exit) in both directions (fail safe). Optionally, can be set (fail secure) as; entry-exit locked, entry free-exit locked, or entry locked-exit free. Free passage in chosen direction by manual override key in fail secure option is available.
Weight	~64 kg
Optional Features and Accessories	Automatic drop (retractable) arm, motor driven unit, top passage indicator, wireless remote control (receiver-transmitter), manual control, manual override key (with fail secure option), coin slot and coin box, single/multiple intelligent coin/token slot and box, counter (with/without reset), card reader mounting bracket, photocell alarm sensor, passage completion sensor, contactless passage sensor (for motorized models), heater positive, top lid weight sensor, bottom plate, battery back-up, 316 grade stainless steel, RS232-RS485-TCP/IP modules, limiter, electrostatic powder coating on stainless steel, motorized card collector unit and card collection box.



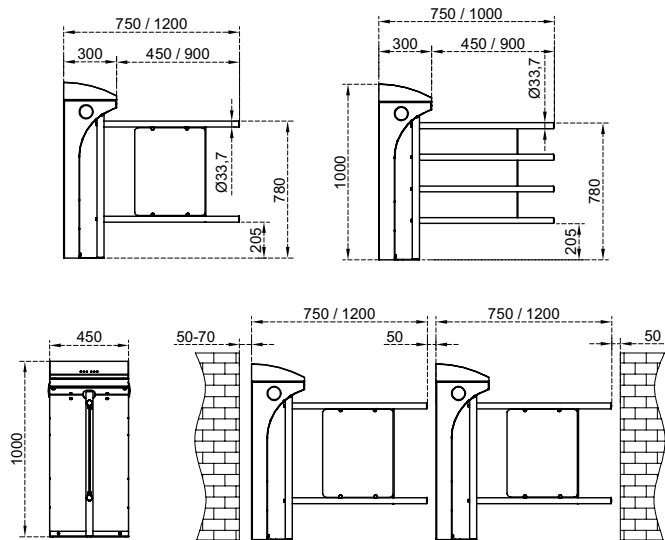








TURNSTILES FOR REDUCED MOBILITY

32	605
33	605 D
34	705 E N1
35	705 E N1 D

Dimensions (mm)

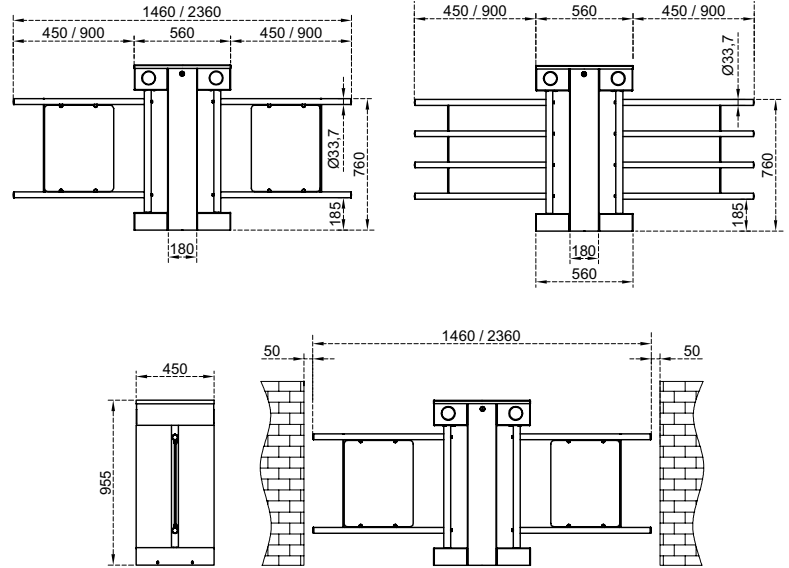


Technical Features



Place of Use	Indoors, outdoors (with wing adaptation)
Operating Temperature, Humidity	-20°C/+68°C (opt. -50°C with heater positive), RH 95% non-condensing.
Operating Intensity	100%, 7/24 use.
Body Features	Material : 304 grade (opt. 316 grade) stainless steel. Finishing : Orbital brushed matt (opt. electrostatic powder coating on stainless steel).
Wing	Material : $\varnothing 33,7 \times 1,5$ mm 304 grade stainless steel pipe with acrylic infill (for indoor use), $\varnothing 33,7 \times 1,5$ mm 304 grade stainless steel pipe (for outdoor use). Finishing : Satine brushed (opt. orbital brushed matt, electrostatic powder coating on stainless steel).
Indicators	Side Status /Direction Indicators :   LED, standard. Top Passage Indicator :   LED, standard.
Power	Operating Voltage : 110/220V AC 50/60 Hz. ($\pm 10\%$), 24V DC. Consumption : ~9W at stand-by, max ~44W (varies according to the options and accessories used).
Operating Modes	System operates bi-directionally (entry-exit). Operating modes can be adjusted through the buttons and screen on the control card. Entry - exit controlled Entry controlled, exit free (with optional photocell) Exit controlled, entry free (with optional photocell) Electromechanical motorized operation.
Operating System	Electromechanical motorized operation.
Control System	All functions, parameters and operating modes can be adjusted through the buttons and screen on the control card. All inputs are opto-coupler protected. Controllable by dry contact (ground control). Compatible with all kinds of access control device. Optional RS232, RS485 or TCP/IP module is available.
Flow Rate	Wing opening / closing time : ~1,5 sec.
Emergency Mode	System provides a free passageway (entry-exit) by opening the wing in preferred direction configured by dip switch (fail safe). Works compatible with fire warning and similar systems. At the end of an emergency situation, system returns to its normal operating mode.
Power-off Situation	System provides a free passageway (entry-exit) by manually pushing the wing towards entry or exit directions (fail safe). Optionally, can be set as entry-exit locked (fail secure).
Weight	~37 kg
Optional Features and Accessories	Wireless remote control (receiver-transmitter), manual control, counter (with/without reset), card reader mounting bracket, heater positive, bottom plate, battery back-up, 316 grade stainless steel, RS232-RS485-TCP/IP modules, limiter, photocell for free mode, electrostatic powder coating on stainless steel.



Dimensions (mm)



Technical Features

Place of Use	Indoors, outdoors (with wing adaptation)
Operating Temperature, Humidity	-20°C/+68°C (opt. -50°C with heater positive), RH 95% non-condensing.
Operating Intensity	100%, 7/24 use.
Body Features	Material : 304 grade (opt. 316 grade) stainless steel. Finishing : Orbital brushed matt (opt. electrostatic powder coating on stainless steel).
Wing	Material : Ø33,7x1,5 mm 304 grade stainless steel pipe with acrylic infill (for indoor use), Ø33,7x1,5 mm 304 grade stainless steel pipe (for outdoor use). Finishing : Satine brushed (opt. orbital brushed matt, electrostatic powder coating on stainless steel).
Indicators	Side Status/Direction Indicators :   LED, standard.
Power	Operating Voltage : 110/220V AC 50/60 Hz. (±10%), 24V DC. Consumption : ~10W at stand-by, max ~40+40W (varies according to the options and accessories used).
Operating Modes	System operates bi-directionally (entry-exit). Operating modes can be adjusted through the buttons and screen on the control card. Entry - exit controlled Entry - exit free (with optional photocell) Entry controlled, exit free (with optional photocell) Exit controlled, entry free (with optional photocell)
Operating System	Electromechanical motorized operation.
Control System	All functions, parameters and operating modes can be adjusted through the buttons and screen on the control card. All inputs are opto-coupler protected. Controllable by dry contact (ground control). Compatible with all kinds of access control device. Optional RS232, RS485 or TCP/IP module is available.
Flow Rate	Wing opening / closing time : ~1,5 sec.
Emergency Mode	System provides a free passageway (entry-exit) by opening the wing in preferred direction configured by dip switch (fail safe). Works compatible with fire warning and similar systems. At the end of an emergency situation, system returns to its normal operating mode.
Power-off Situation	System provides a free passageway (entry-exit) by manually pushing the wing towards entry or exit directions (fail safe). Optionally, can be set as entry-exit locked (fail secure).
Weight	~53 kg
Optional Features and Accessories	Wireless remote control (receiver-transmitter), manual control, counter (with/without reset), card reader mounting bracket, heater positive, bottom plate, battery back-up, 316 grade stainless steel, RS232-RS485-TCP/IP modules, limiter, photocell for free mode, top passage indicator, electrostatic powder coating on stainless steel.





GİRİŞ

GİRİŞ



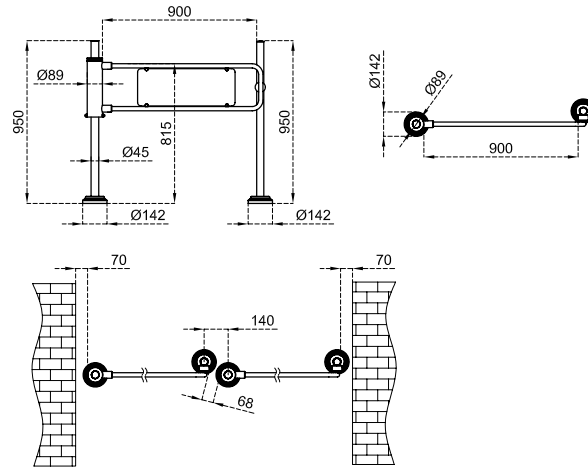
FREE PASSAGE TURNSTILES

40 SWG 101
41 MRKT 404

SWG 101



Dimensions (mm)

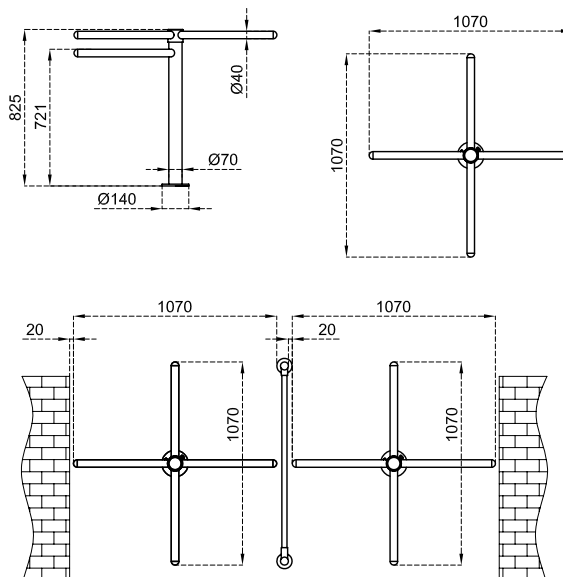


Technical Features

Place of Use	Indoors, outdoors.
Operating Intensity	100%, 7/24 use.
Body Features	Material : Ø89x3 mm 304 grade stainless steel. Finishing : Satine brushed (opt. orbital brushed matt, electrostatic powder coating on stainless steel).
Wing	Material : Ø27x2 mm 304 grade stainless steel pipe with acrylic infill. Finishing : Satine brushed (opt. orbital brushed matt, electrostatic powder coating on stainless steel).
Power	Operating Voltage : No power for standard model (opt. 24V DC (250mA) for 35 kg electromagnetic lock).
Operating Mode	System operates uni-directionally (clockwise or counter clockwise). Wing, opening 90° by pushing comes back to its original position thanks to the spring system ensuring the closing of the wing.
Operating System	Mechanical manual operation.
Emergency Mode	Electromagnetic lock (if any) is deactivated during the emergency contact, and the wing is pushed manually to create a free passageway.
Power-off Situation	Electromagnetic lock (if any) becomes disabled, and the wing is pushed manually to create a free passageway.
Weight	~15 kg
Optional Features and Accessories	Electromagnetic lock, wireless remote control (receiver-transmitter, with electromagnetic lock option), manual control (with electromagnatic lock option), key lock pole, bottom plate, electrostatic powder coating on stainless steel.



Dimensions (mm)



Technical Features

Place of Use	Indoors, outdoors.
Operating Intensity	100%, 7/24 use.
Body Features	Material : Ø70x2 mm 304 grade stainless steel. Finishing : Satine brushed (opt. orbital brushed matt, electrostatic powder coating on stainless steel).
Arms	Material : Ø40x2 mm 304 grade stainless steel pipe, Ø42x2,5 mm red painted steel anti-return arm Finishing : Satine brushed (opt. orbital brushed matt, electrostatic powder coating on stainless steel).
Operating Mode	System operates uni-directionally (clockwise or counter clockwise).
Operating System	Manual operation turning by pushing.
Weight	~15 kg
Optional Features and Accessories	Bottom plate

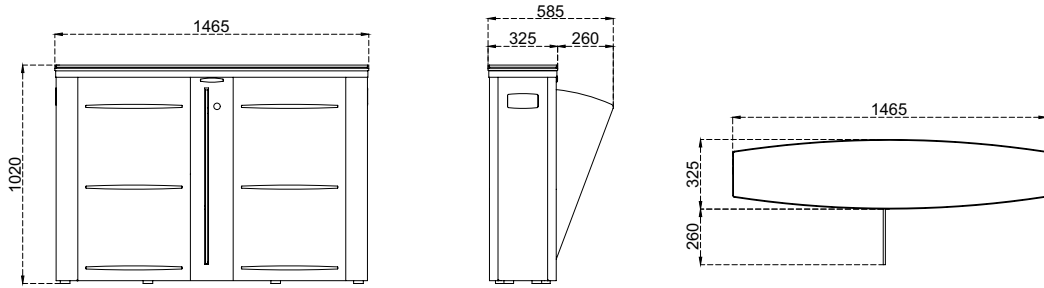


SPEED GATES

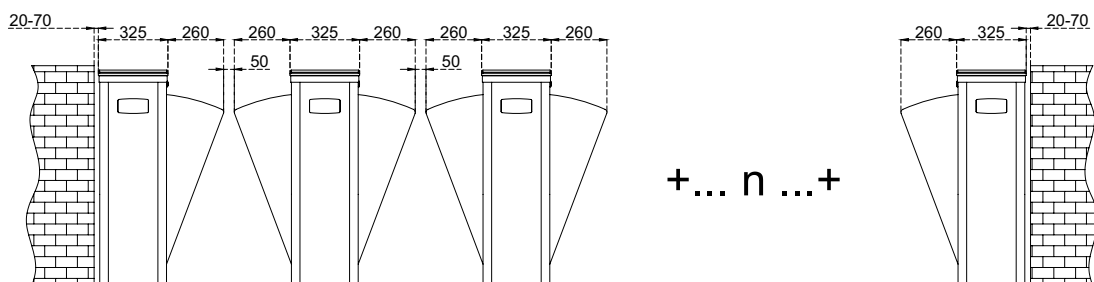
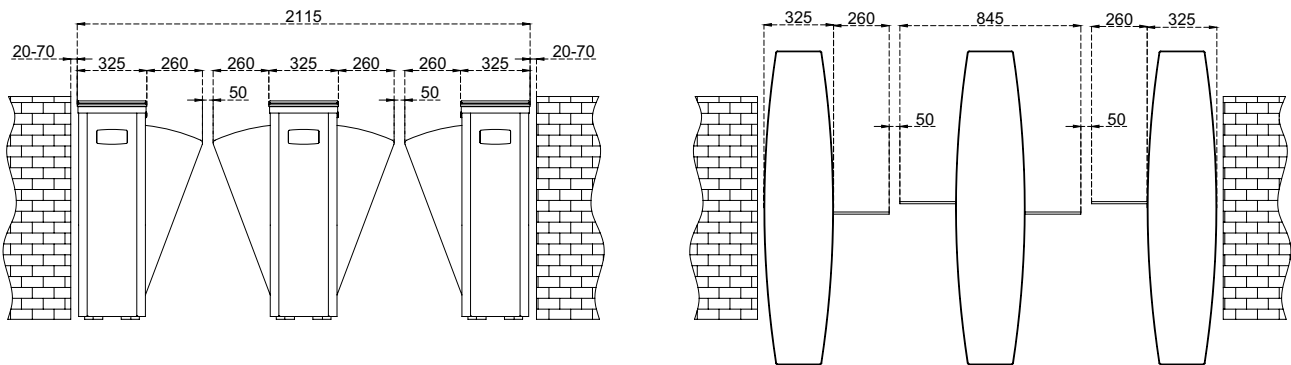
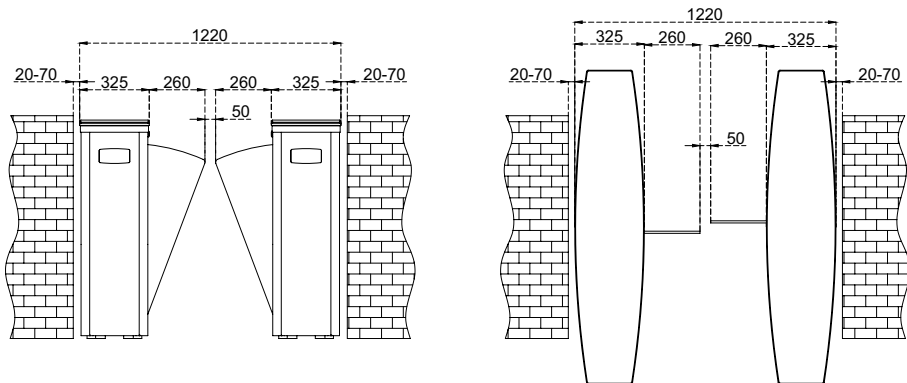
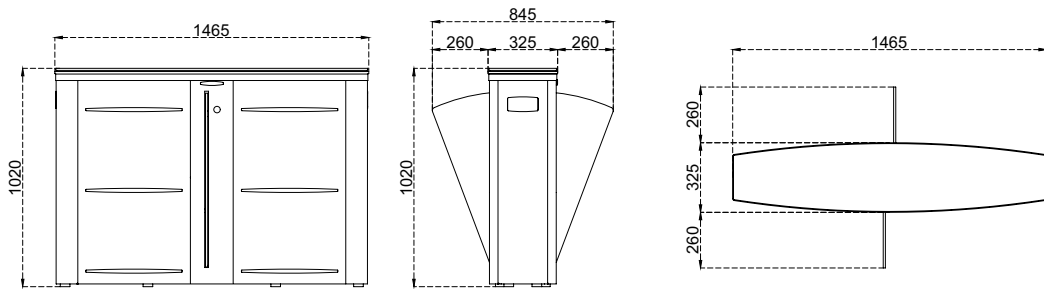
44	HG 01
46	HG 02 EU
50	HG 02 DP EU
52	SG 55 SLIDING GATE
56	SG 90 SLIDING GATE
58	PG 03 55 PADDLE GATE
60	PG 03 90 PADDLE GATE

Dimensions (mm)

HG 01-S : SINGLE UNIT (LEFT or RIGHT)



HG 01-C: CENTER UNIT



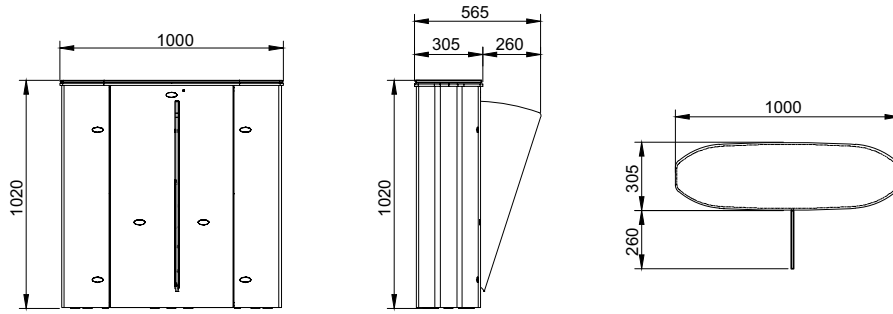


Technical Features

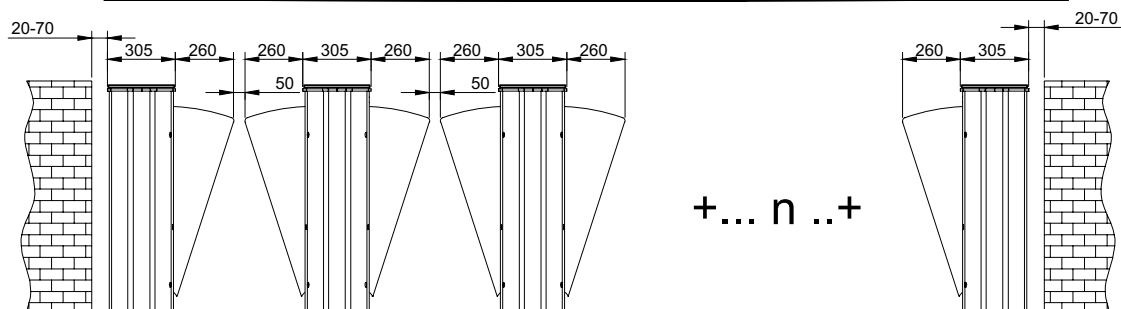
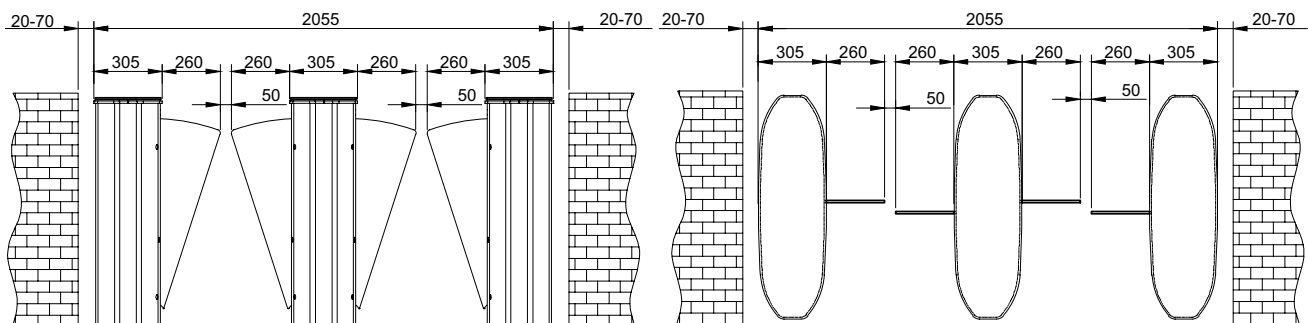
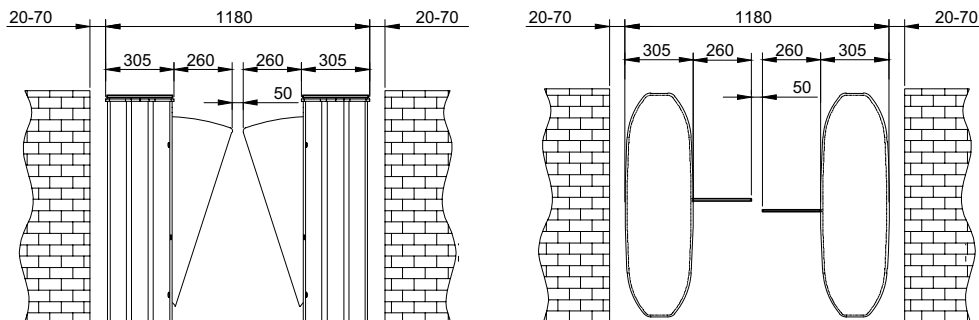
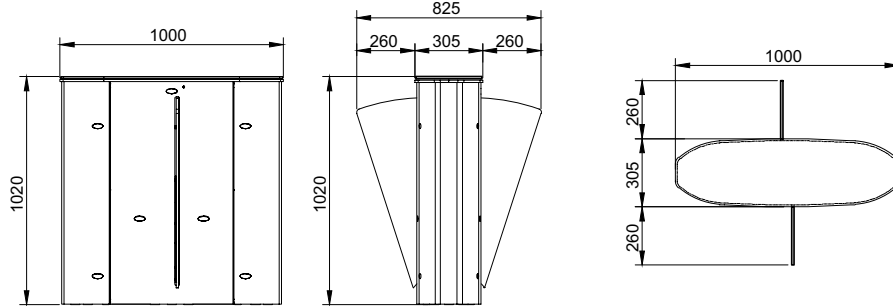
Place of Use	Indoors.	
Operating Temperature, Humidity	-20°C/+68°C (opt. -50°C with heater positive), RH 95% non-condensing.	
Operating Intensity	100%, 7/24 use.	
Material Specifications	Body	304 grade (opt. 316 grade) satine brushed stainless steel.
	Top Lid	Lockable 10 mm black tempered glass (opt. other materials), choice of top lid hollowed for surface mounted access control device is also available.
	Wings	RGB LED illuminated 10 mm tempered glass.
Indicators	Passage / Direction Indicators : RGB LED under top lid and wings standard (opt. sliding asteroid animated LED indicators on top lid).	
Power	Operating Voltage	: 110/220V AC 50/60 Hz. (±10%), 24V DC.
	Consumption (single)	: 4W at stand-by, max ~34W
Operating Modes	Consumption (center)	: 8W at stand-by, max ~34+34W (varies according to the options and accessories used)
	System operates bi-directionally (entry-exit). Operation modes can be changed through dip switch.	
	Entry - exit controlled	Entry - exit free
Operating System	Entry controlled, exit free	Exit controlled, entry free
	Electromechanical motorised system with electronic torque and sensor controls that provides wing movement retracting inside the body for rapid passages.	
	A passage lane consists of min. 2 pieces of single units facing each other.	
	Electromechanical motorized wings are closed at stand-by. Person requests authorisation from the access control device (3rd party device) connected to the gate's entry system. Upon authorisation, wings open, passage of the person is monitored by the multi-sensors along the passageway and wings close upon completion of the passage. In case of subsequent access authorisations, wings keep open until the last person completes his passage and then close.	
	Wings do not move and do not harm the person in case the person is between the wings thanks to the sensors. In addition, electronic torque control system is continuously active during closing of the wings.	
	Systems generates audio/visual alarm in case of tailgating or illegal passage attempts. System message codes can be monitored from the internal diagnostic screen.	
Control System	All functions, parameters and operating modes can be changed through the control board (microprocessor controlled). All inputs are opto-coupler protected.	
	Controllable by dry contact (ground control). Compatible with all kinds of access control device. Optional RS232, RS485 or TCP/IP module is available.	
	Wing opening / closing time	: ~0,8 sec.
Flow Rate	Free passage mode	: ~60 pass/min.
	Nominal	: ~30 pass/min. (passage rate can change depending on the access control system utilized)
Emergency Mode	Wings provide a free passageway by automatically retracting inside the body (fail safe). Works compatible with fire warning and similar systems. At the end of an emergency situation, system returns to its normal operating mode.	
Power-off Situation	Wings provide a free passageway by automatically retracting inside the body through internal battery (fail safe).	
Weight	Single	: ~65 kg
	Center	: ~80 kg
Optional Features and Accessories	Wireless remote control (receiver-transmitter), manual control, card reader mounting bracket, heater positive, top lid weight sensor, bottom plate, battery back-up, 316 grade stainless steel, RS232-RS485-TCP/IP modules, sliding asteroid animated LED indicator, different outer body materials (mirror black, bronze, etc), motorized card collector unit and card collection box.	

Dimensions (mm)

HG 02 EU : SINGLE UNITE (LEFT OR RIGHT)



HG 02 EU: CENTER UNITE

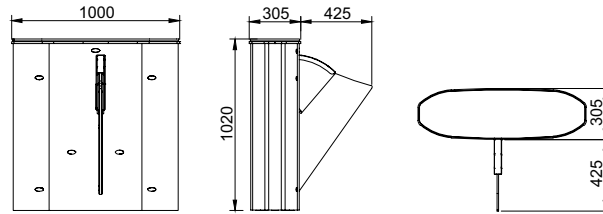




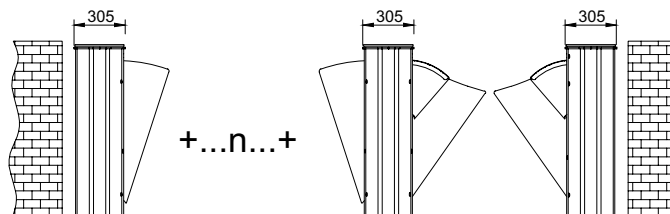
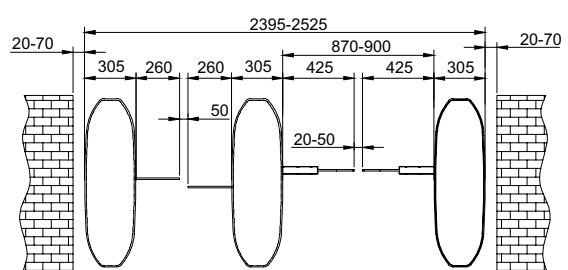
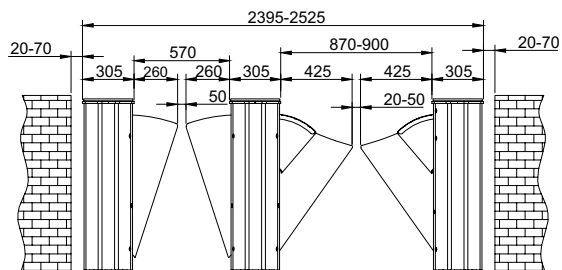
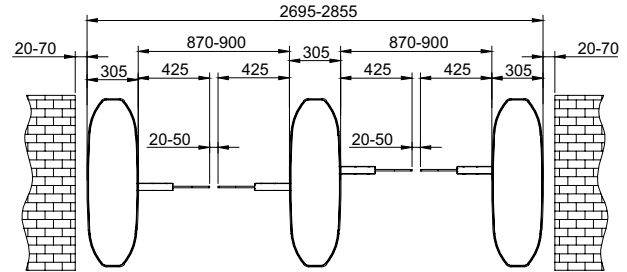
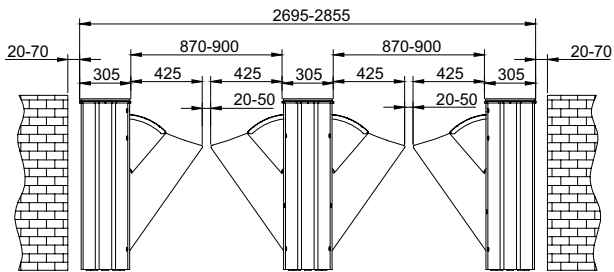
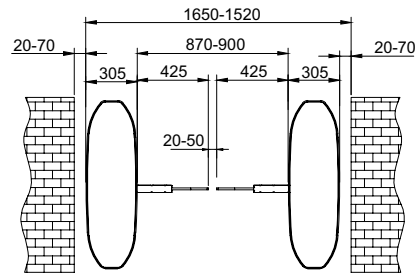
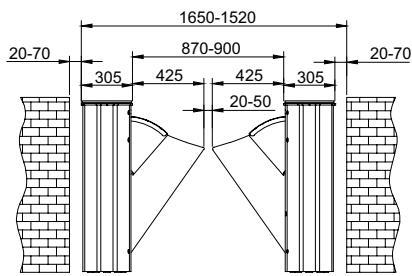
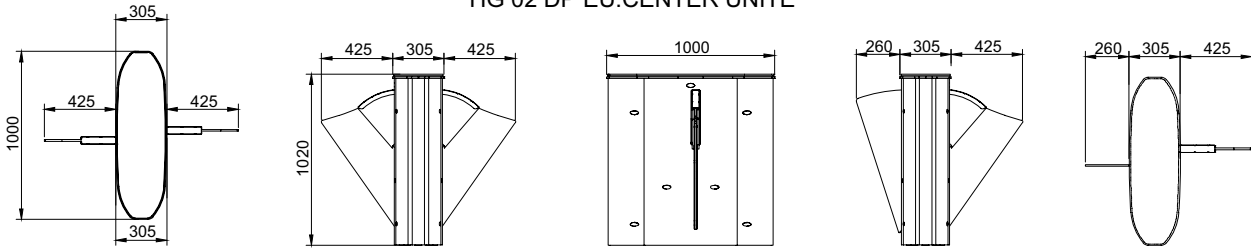


Dimensions (mm)

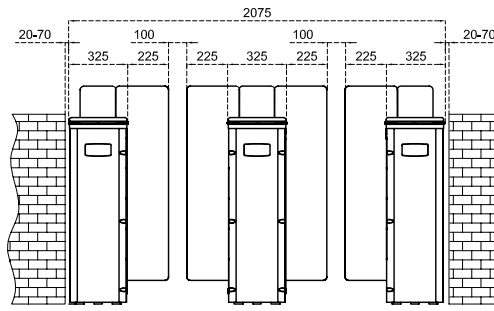
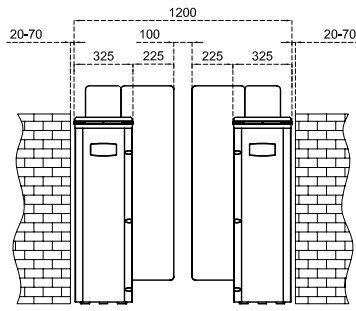
HG 02 DP EU:SINGLE UNITE (LEFT OR RIGHT)



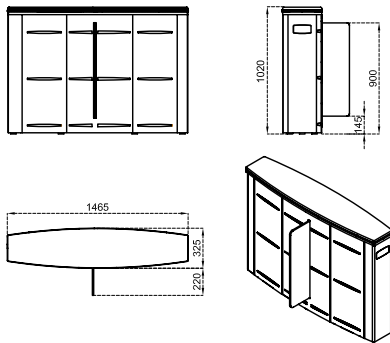
HG 02 DP EU:CENTER UNITE



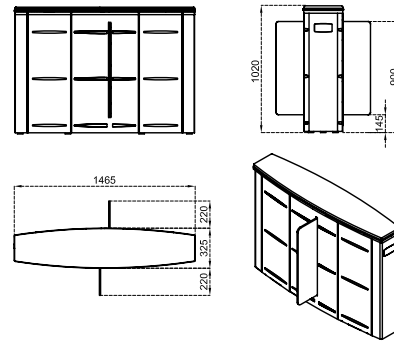
Dimensions (mm)



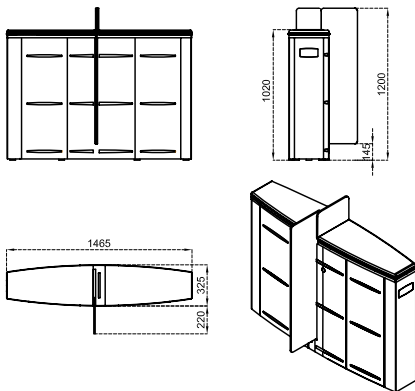
SG 55 S-S
Glass Wing Height : 900 mm



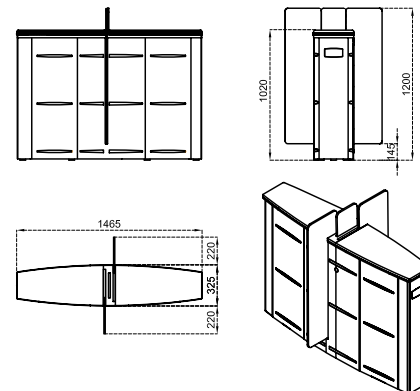
SG 55 S-C
Glass Wing Height : 900 mm



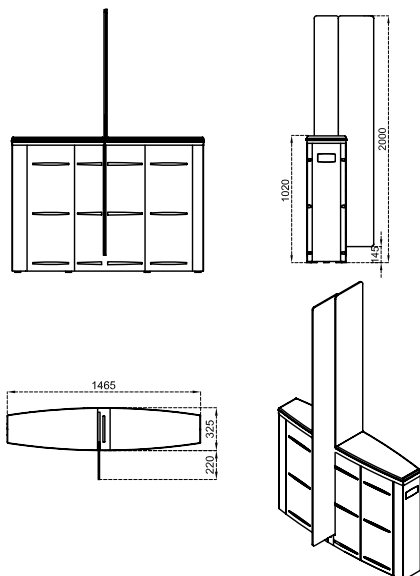
SG 55 M-S
Glass Wing Height : 1200 mm



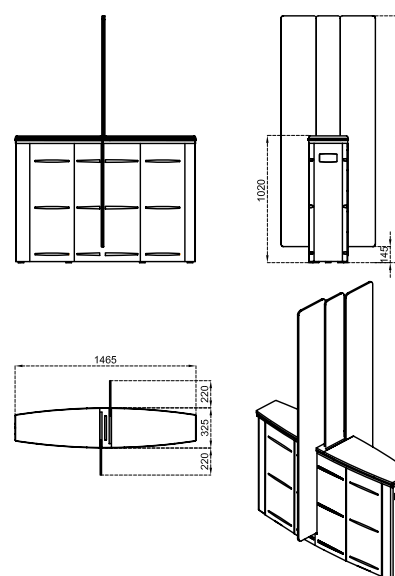
SG 55 M-C
Glass Wing Height : 1200 mm



SG 55 T-S
Glass Wing Height : 2000 mm



SG 55 T-C
Glass Wing Height : 2000 mm








BUGGY LAINE →
ARAF-ROTTAST →

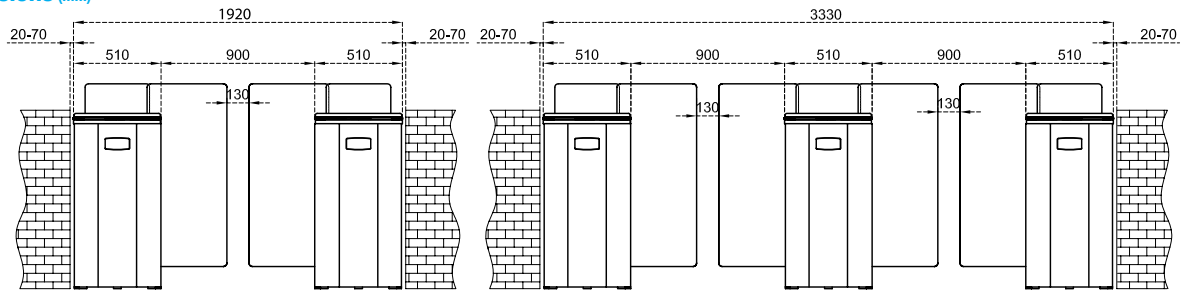
SG 90 SLIDING GATE



Technical Features

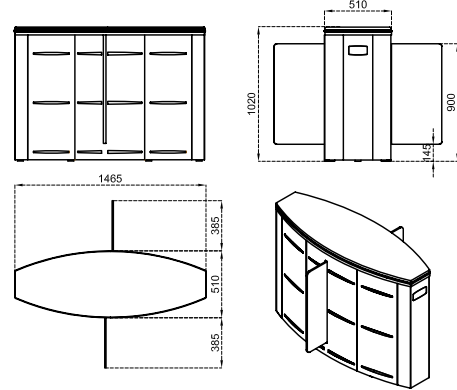
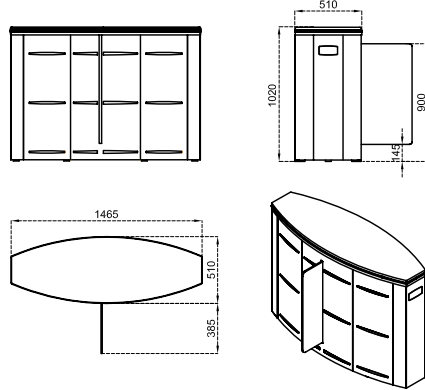
Place of Use	Indoors.	
Operating Temperature, Humidity	-20°C/+68°C (opt. -50°C with heater positive), RH 95% non-condensing.	
Operating Intensity	100%, 7/24 use.	
Material Specifications	Body	304 grade (opt. 316 grade) satine brushed stainless steel.
	Top Lid	10 mm black tempered glass (opt. other materials), choice of top lid hollowed for surface mounted access control device is also available.
	Wings	RGB LED illuminated 10 mm tempered glass with 900-1200-2000 mm wing height options.
Indicators	Side Status / Direction Indicators :  DOT MATRIX LED, standard.	
	Passage Indicator : RGB LED under top lid and wings standard.	
Power	Operating Voltage : 110/220V AC 50/60 Hz. (±10%), 24V DC.	
	Consumption (single) : 11W at stand-by, max ~50W Consumption (center) : 22W at stand-by, max ~50+50W (varies according to the options and accessories used)	
Operating Modes	System operates bi-directionally (entry-exit). Operation modes can be changed through dip switch.	
	Entry - exit controlled	Entry - exit free
	Entry controlled, exit free	Exit controlled, entry free
Operating System	Suitable for passage with wheelchairs, suitcases and trolleys with clear passage width up to 900 mm. Electromechanical motorised system with electronic torque and sensor controls that provides wing movement retracting inside the body for rapid passages. A passage lane consists of min. 2 pieces of single units facing each other. Electromechanical motorized wings are closed at stand-by. Person requests authorisation from the access control device (3rd party device) connected to the gate's entry system. Upon authorisation, wings open, passage of the person is monitored by the multi-sensors along the passageway and wings close upon completion of the passage. In case of subsequent access authorisations, wings keep open until the last person completes his passage and then close. Wings do not move and do not harm the person in case the person is between the wings thanks to the sensors. In addition, electronic torque control system is continuously active during closing of the wings. Sensors along the passageway detects suitcase providing secure and comfortable passages. Systems generates audio/visual alarm in case of tailgating or illegal passage attempts. System message codes can be monitored from the internal diagnostic screen.	
	All functions, parameters and operating modes can be changed through the control board (microprocessor controlled). All inputs are opto-coupler protected.	
	Controllable by dry contact (ground control). Compatible with all kinds of access control device. Optional RS232, RS485 or TCP/IP module is available.	
Flow Rate	Wing opening / closing time : ~1,3-1,6 sec. Free passage mode : ~50 pass/min. Nominal : ~25 pass/min. (passage rate can change depending on the access control system utilized)	
Emergency Mode	Wings provide a free passageway by automatically retracting inside the body (fail safe). Works compatible with fire warning and similar systems. At the end of an emergency situation, system returns to its normal operating mode.	
Power-off Situation	Wings provide a free passageway by automatically retracting inside the body through internal battery (fail safe).	
Weight	Single : ~190 kg	
	Center : ~250 kg	
Optional Features and Accessories	Wireless remote control (receiver-transmitter), manual control, coin slot and coin box, single/multiple intelligent coin/token slot and box, card reader mounting bracket, heater positive, bottom plate, battery back-up, 316 grade stainless steel, RS232-RS485-TCP/IP modules, different outer body materials (mirror black, bronze, etc), different wing heights, motorized card collector unit and card collection box, different top lid materials (stainless steel, natural granite, etc.).	

Dimensions (mm)



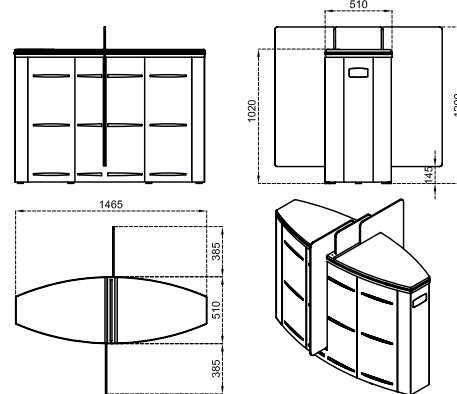
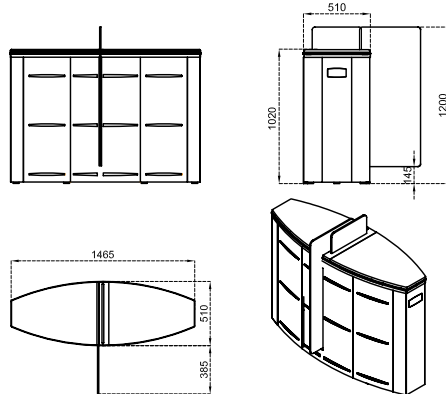
SG 90 S-S
Glass Wing Height: 900 mm

SG 90 S-C
Glass Wing Height: 900 mm



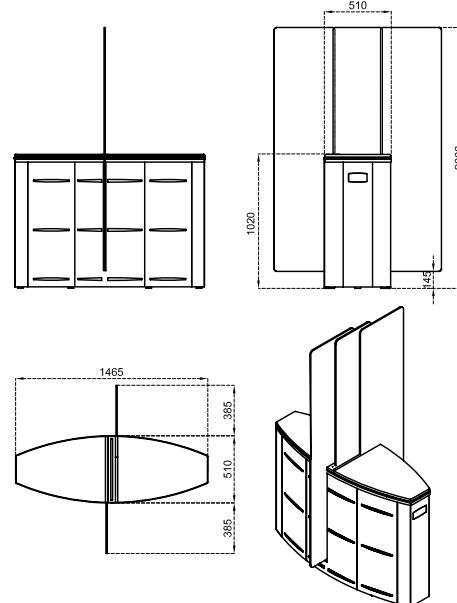
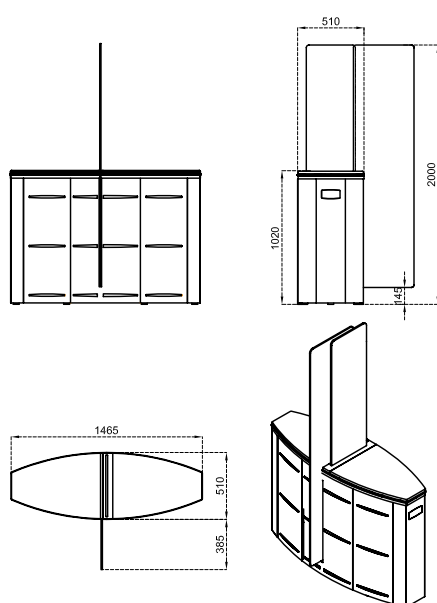
SG 90 M-S
Glass Wing Height: 1200 mm

SG 90 M-C
Glass Wing Height: 1200 mm

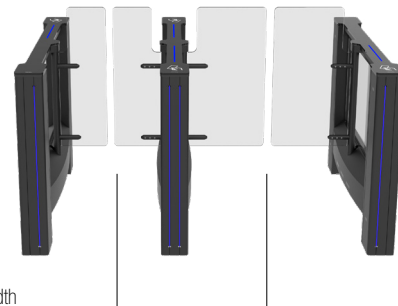
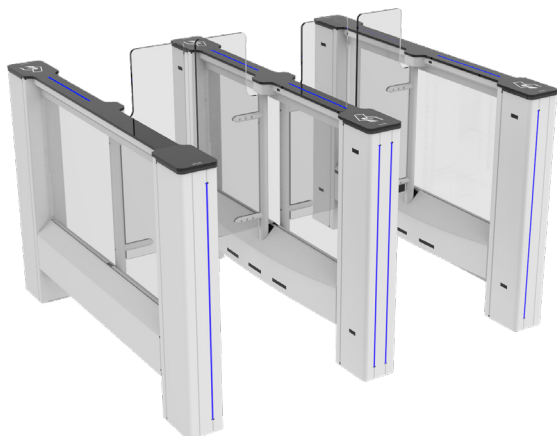


SG 90 T-S
Glass Wing Height: 2000 mm

SG 90 T-C
Glass Wing Height: 2000 mm



PG 03 55 PADDLE GATE

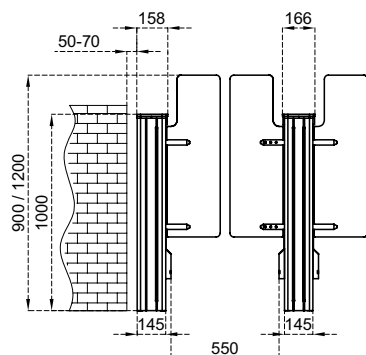
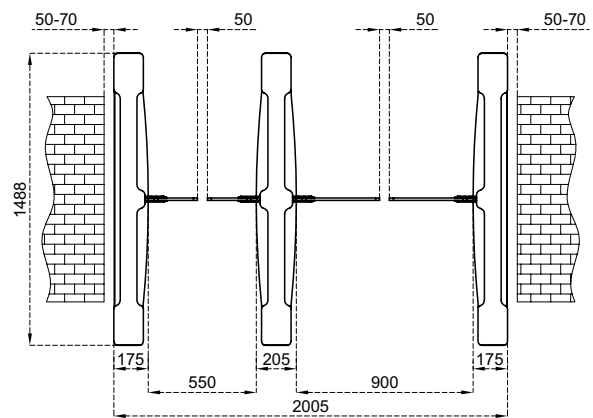
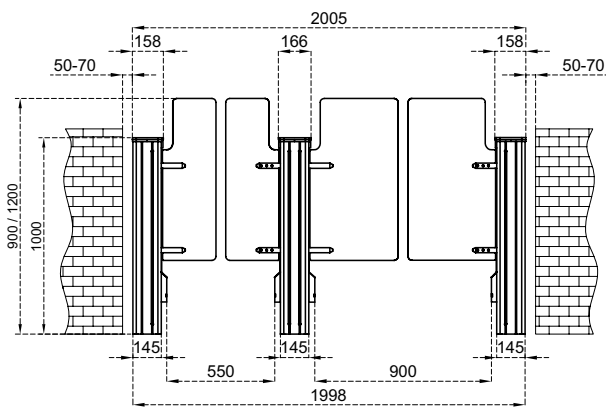
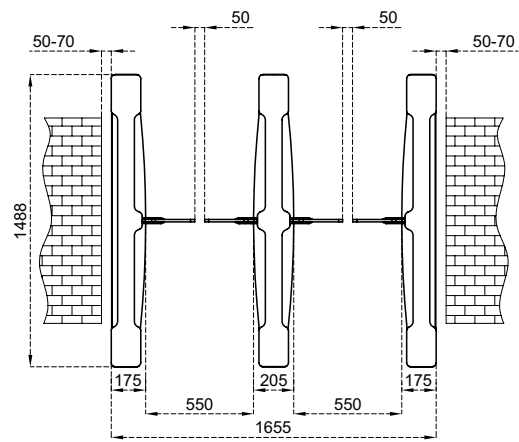
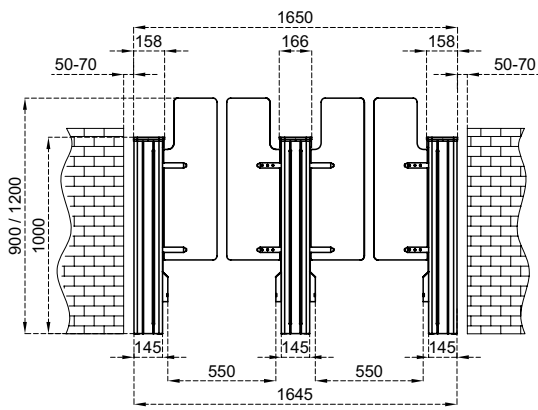
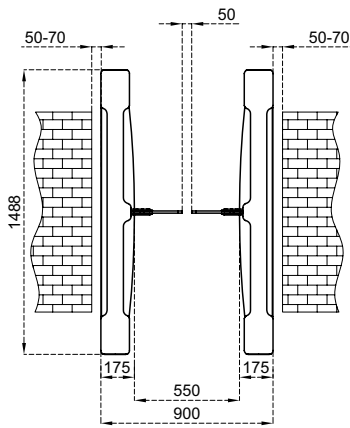
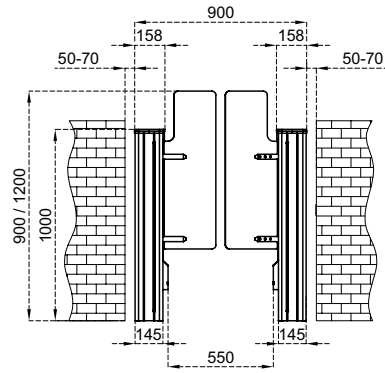


550 & 900 mm net passage width combinations can be created.

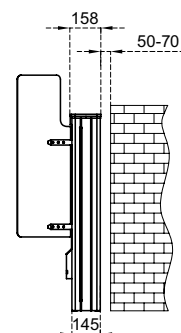
Technical Features

Place of Use	Indoors.	
Operating Temperature, Humidity	-20°C/+68°C, RH 95% non-condensing.	
Operating Intensity	100%, 7/24 use.	
Material Specifications	Body	304 grade (opt. 316 grade) satine brushed stainless steel, acrylic panel side walls.
	Top Lid	10 mm black tempered glass .
	Wings	10 mm tempered glass with 900 – 1200 – optionally 1500 mm wing height choices.
Indicators	Direction and Passage Indicators : Vertical LED and sliding asteroid animated LED on top lid standard.	
Power	Operating Voltage	: 110/220V AC 50/60 Hz. (±10%), 24V DC.
	Consumption (single)	: 8W at stand-by, max ~38W
Operating Modes	Consumption (center)	: 16W at stand-by, max ~38+38W (varies according to the options and accessories used)
	System operates bi-directionally (entry-exit). Operation modes can be changed through dip switch.	
	Entry - exit controlled	Entry - exit free
Operating System	Entry controlled, exit free	Exit controlled, entry free
	Electromechanical motorised system with electronic torque and sensor controls that provides wing movement swinging to passage direction for rapid passages. A passage lane consists of min. 2 pieces of single units facing each other. Electromechanical motorized wings are closed at stand-by. Person requests authorisation from the access control device (3rd party device) connected to the gate's entry system. Upon authorisation, wings open, passage of the person is monitored by the multi-sensors along the passageway and wings close upon completion of the passage. In case of subsequent access authorisations, wings keep open until the last person completes his passage and then close. Wings do not move and do not harm the person in case the person is between the wings thanks to the sensors. In addition, electronic torque control system is continuously active during closing of the wings. Sensors along the passageway detects suitcase providing secure and comfortable passages. Systems generates audio/visual alarm in case of tailgating or illegal passage attempts. System message codes can be monitored from the internal diagnostic screen.	
	All functions, parameters and operating modes can be changed through the control board (microprocessor controlled). All inputs are opto-coupler protected.	
	Control System Controllable by dry contact (ground control). Compatible with all kinds of access control device. Optional RS232, RS485 or TCP/IP module is available.	
	Flow Rate	Wing opening / closing time : ~0,8-1,2 sec. (depending on the wing height) Free passage mode : ~50 pass/min. Nominal : ~25 pass/min. (passage rate can change depending on the access control system utilized)
	Emergency Mode	Wings provide a free passageway by automatically opening to the preferred direction adjustable by dip-switch (fail safe). Works compatible with fire warning and similar systems. At the end of an emergency situation, system returns to its normal operating mode.
	Power-off Situation	Wings provide a free passageway pushed manually to either entry or exit direction (fail safe). Wings provide a free passageway by automatically opening to the preferred direction with the optional internal battery adjustable by dip-switch.
Weight	Single : ~70 kg Center : ~85 kg	
Optional Features and Accessories	Wireless remote control (receiver-transmitter), manual control, card reader mounting bracket, motorized card collector unit and card collection box, battery back-up, internal battery, RS232-RS485-TCP/IP modules, different wing heights, 316 grade stainless steel, electrostatic powder coating on 304 grade stainless steel, bottom plate, stainless steel top lid.	

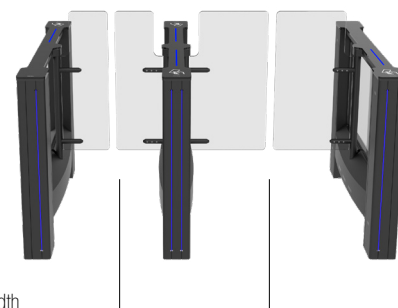
Dimensions (mm)



+ ... n ... +



PG 03 90 PADDLE GATE

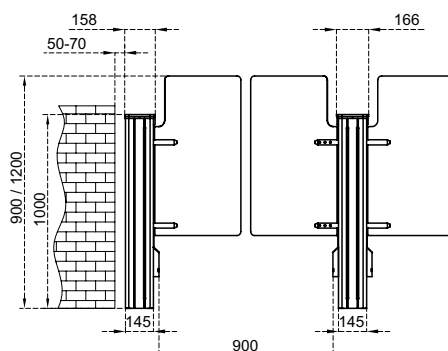
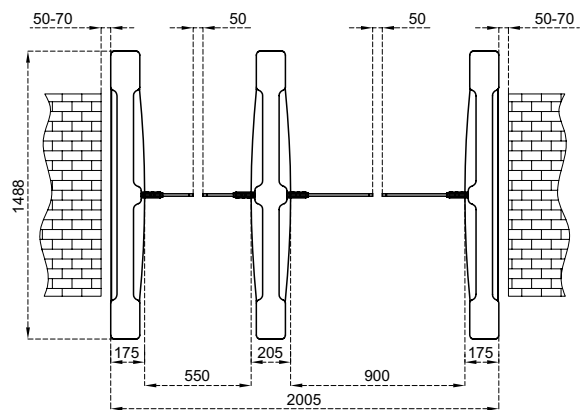
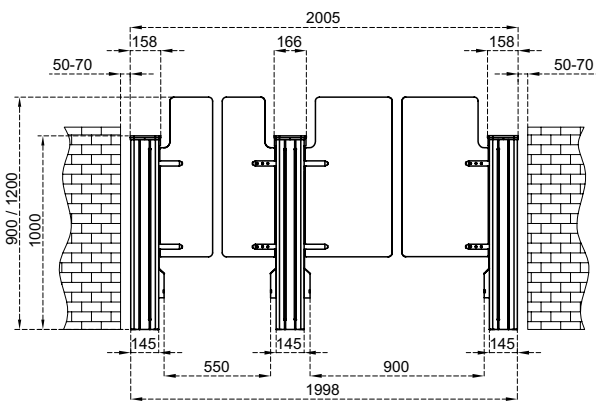
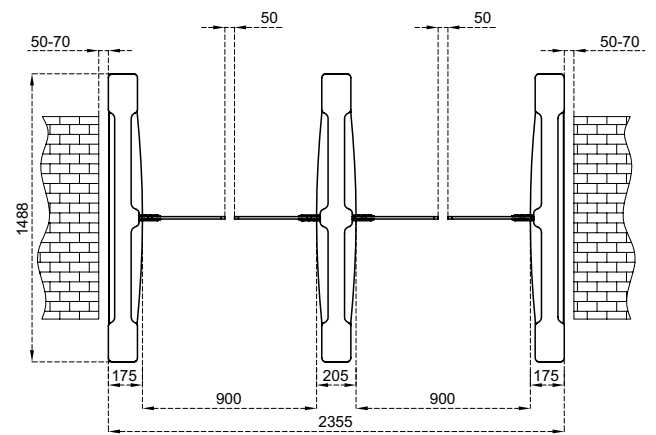
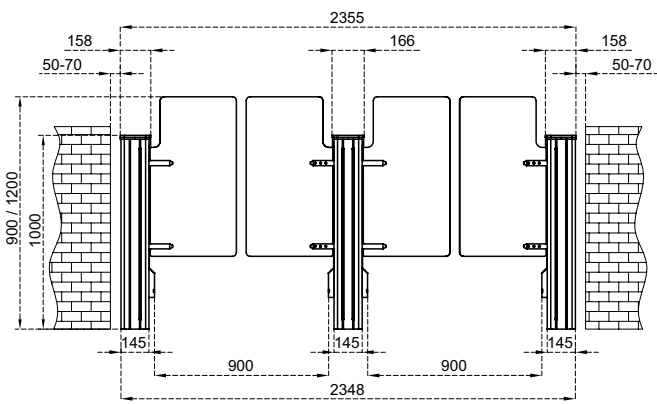
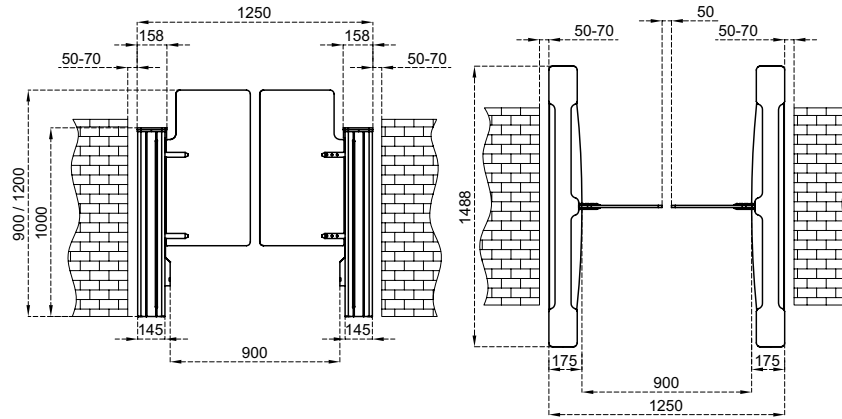


550 & 900 mm net passage width combinations can be created.

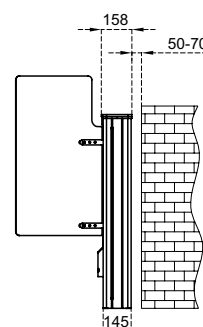
Technical Features

Place of Use	Indoors.	
Operating Temperature, Humidity	-20°C/+68°C, RH 95% non-condensing.	
Operating Intensity	100%, 7/24 use.	
Material Specifications	Body	304 grade (opt. 316 grade) satine brushed stainless steel, acrylic panel side walls.
	Top Lid	10 mm black tempered glass .
	Wings	10 mm tempered glass with 900 - 1200 - optionally 1500 mm wing height choices.
Indicators	Direction and Passage Indicators : Vertical LED and sliding asteroid animated LED on top lid standard.	
Power	Operating Voltage : 110/220V AC 50/60 Hz. (±10%), 24V DC. Consumption (single) : 8W at stand-by, max ~38W Consumption (center) : 16W at stand-by, max ~38+38W (varies according to the options and accessories used)	
Operating Modes	System operates bi-directionally (entry-exit). Operation modes can be changed through dip switch. Entry - exit controlled Entry - exit free Entry controlled, exit free Exit controlled, entry free	
Operating System	Suitable for passage with wheelchairs, suitcases and trolleys with clear passage width up to 900 mm. Electromechanical motorised system with electronic torque and sensor controls that provides wing movement swinging to passage direction for rapid passages. A passage lane consists of min. 2 pieces of single units facing each other. Electromechanical motorized wings are closed at stand-by. Person requests authorisation from the access control device (3rd party device) connected to the gate's entry system. Upon authorisation, wings open, passage of the person is monitored by the multi-sensors along the passageway and wings close upon completion of the passage. In case of subsequent access authorisations, wings keep open until the last person completes his passage and then close. Wings do not move and do not harm the person in case the person is between the wings thanks to the sensors. In addition, electronic torque control system is continuously active during closing of the wings. Sensors along the passageway detects suitcase providing secure and comfortable passages. Systems generates audio/visual alarm in case of tailgating or illegal passage attempts. System message codes can be monitored from the internal diagnostic screen.	
Control System	All functions, parameters and operating modes can be changed through the control board (microprocessor controlled). All inputs are opto-coupler protected. Controllable by dry contact (ground control). Compatible with all kinds of access control device. Optional RS232, RS485 or TCP/IP module is available.	
Flow Rate	Wing opening / closing time : ~0,8-1,2 sec. (depending on the wing height) Free passage mode : ~50 pass/min. Nominal : ~25 pass/min. (passage rate can change depending on the access control system utilized)	
Emergency Mode	Wings provide a free passageway by automatically opening to the preferred direction adjustable by dip-switch (fail safe). Works compatible with fire warning and similar systems. At the end of an emergency situation, system returns to its normal operating mode.	
Power-off Situation	Wings provide a free passageway pushed manually to either entry or exit direction (fail safe). Wings provide a free passageway by automatically opening to the preferred direction with the optional internal battery adjustable by dip-switch.	
Weight	Single : ~70 kg Center : ~85 kg	
Optional Features and Accessories	Wireless remote control (receiver-transmitter), manual control, card reader mounting bracket, motorized card collector unit and card collection box, battery back-up, internal battery, RS232-RS485-TCP/IP modules, different wing heights, 316 grade stainless steel, electrostatic powder coating on 304 grade stainless steel, bottom plate, stainless steel top lid.	

Dimensions (mm)



+ ... n ... +



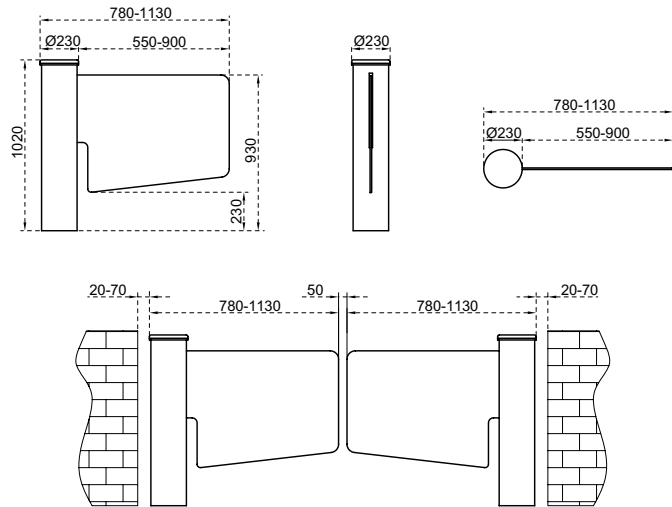


GLASS LINE

64	GL A1
65	GL B1
67	GL A2
68	SALOON



Dimensions (mm)

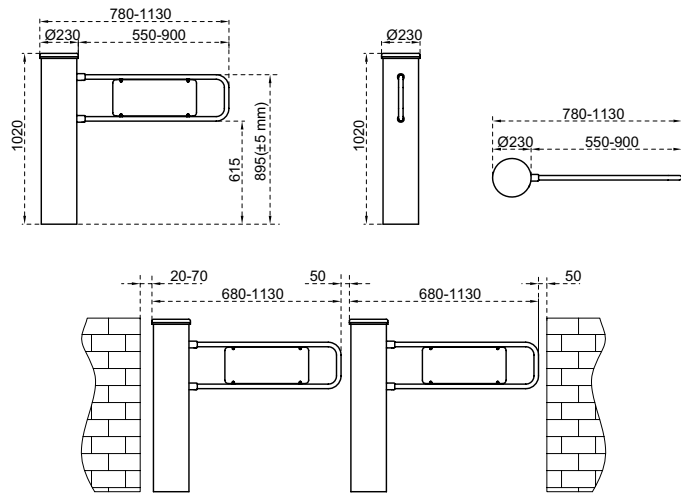


Technical Features

Place of Use	Indoors	
Operating Temperature, Humidity	-20°C/+68°C (opt. -50°C with heater positive), RH 95% non-condensing.	
Operating Intensity	100%, 7/24 use.	
Material Features	Body	304 grade (opt. 316 grade) satine brushed stainless steel.
	Top Lid	10 mm black tempered glass.
	Wing	10 mm tempered glass with 550-900 mm wing width choices.
Indicators	Direction and Passage Indicators : RGB LED under top lid standard.	
Power	Operating Voltage	: 110/220V AC 50/60 Hz. (±10%), 24V DC.
	Consumption	: ~2 W at stand-by, max ~30 W (varies according to the options and accessories used).
Operating Modes	System operates bi-directionally (entry-exit). Operating modes can be adjusted through the buttons and screen on the control card.	
	Entry - exit controlled	Entry - exit free (with optional photo-cell)
	Entry controlled, exit free (with optional photocell)	Exit controlled, entry free (with optional photocell)
Operating System	Electromechanical motorized operation.	
Control System	All functions, parameters and operating modes can be adjusted through the buttons and screen on the control card.	
	All inputs are opto-coupler protected.	
	Controllable by dry contact (ground control).	
	Compatible with all kinds of access control device. Optional RS232, RS485 or TCP/IP module is available.	
Flow Rate	Wing opening / closing time : 1,5 - 2,0 sec.	
Emergency Mode	System provides a free passageway (entry-exit) by opening the wing in preferred direction configured by dip switch (fail safe). Works compatible with fire warning and similar systems. At the end of an emergency situation, system returns to its normal operating mode.	
Power-off Situation	System provides a free passageway (entry-exit) by manually pushing the wing towards entry or exit directions (fail safe).	
Weight	~48 kg	
Optional Features and Accessories	Wireless remote control (receiver-transmitter), manual control, counter (with/without reset), card reader mounting bracket, heater positive, bottom plate, battery back-up, 316 grade stainless steel, RS232-RS485-TCP/IP modules, different outer body materials (mirror black, bronze, etc), different top lid materials (stainless steel, natural granite, etc), photocell for free mode.	



Dimensions (mm)



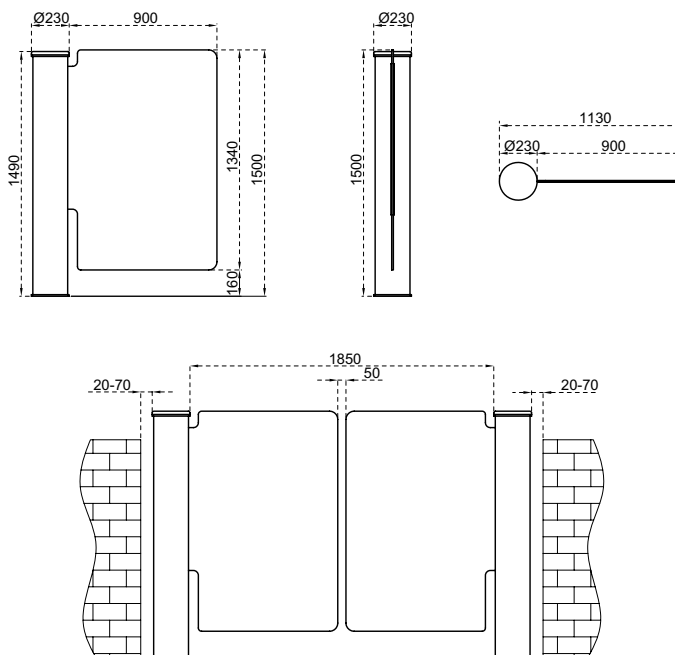
Technical Features

Place of Use	Indoors, outdoors. (If the top lid is modified to mount a reader bracket or similar accessory, the product shall be used indoors only.)	
Operating Temperature, Humidity	-20°C/+68°C (opt. -50°C with heater positive), RH 95% non-condensing.	
Operating Intensity	100%, 7/24 use.	
Material Features	Body	304 grade (opt. 316 grade) satine brushed stainless steel.
	Top Lid	10 mm black tempered glass.
	Wing	Single piece special formed Ø27x2 mm, 304 grade (opt. 316 grade) satine brushed stainless steel frame infilled with acrylic panel wing with 550-900 mm wing width choices.
Indicators	Direction and Passage Indicators : RGB LED under top lid standard.	
Power	Operating Voltage	: 110/220V AC 50/60 Hz. (±10%), 24V DC.
	Consumption	: ~2 W at stand-by, max ~30 W (varies according to the options and accessories used).
Operating Modes	System operates bi-directionally (entry-exit).	
	Operating modes can be adjusted through the buttons and screen on the control card.	
	Entry - exit controlled	Entry - exit free (with optional photo-cell)
Operating System	Entry controlled, exit free (with optional photocell) Exit controlled, entry free (with optional photocell)	
Control System	Electromechanical motorized operation.	
	All functions, parameters and operating modes can be adjusted through the buttons and screen on the control card.	
	All inputs are opto-coupler protected. Controllable by dry contact (ground control). Compatible with all kinds of access control device. Optional RS232, RS485 or TCP/IP module is available.	
Flow Rate	Wing opening / closing time : 1,5 - 2,0 sec.	
Emergency Mode	System provides a free passageway (entry-exit) by opening the wing in preferred direction configured by dip switch (fail safe). Works compatible with fire warning and similar systems. At the end of an emergency situation, system returns to its normal operating mode.	
Power-off Situation	System provides a free passageway (entry-exit) by manually pushing the wing towards entry or exit directions (fail safe).	
Weight	~41 kg	
Optional Features and Accessories	Wireless remote control (receiver-transmitter), manual control, counter (with/without reset), card reader mounting bracket, heater positive, bottom plate, battery back-up, 316 grade stainless steel, RS232-RS485-TCP/IP modules, different outer body materials (mirror black, bronze, etc), different top lid materials (stainless steel, natural granite, etc), photocell for free mode.	





Dimensions (mm)



Technical Features

Place of Use	Indoors	
Operating Temperature, Humidity	-20°C/+68°C (opt. -50°C with heater positive), RH 95% non-condensing.	
Operating Intensity	100%, 7/24 use.	
Material Features	Body	304 grade (opt. 316 grade) satine brushed stainless steel.
	Top Lid	10 mm black tempered glass.
	Wing	10 mm tempered glass with 900 mm wing width.
Indicators	Direction and Passage Indicators : RGB LED under top lid standard.	
Power	Operating Voltage	: 110/220V AC 50/60 Hz. (±10%), 24V DC.
	Consumption	: ~2W at stand-by, max ~30W (varies according to the options and accessories used).
Operating Modes	System operates bi-directionally (entry-exit).	
	Operating modes can be adjusted through the buttons and screen on the control card.	
	Entry - exit controlled	Entry - exit free (with optional photocell)
Operating System	Electromechanical motorized operation.	
Control System	All functions, parameters and operating modes can be adjusted through the buttons and screen on the control card	
	All inputs are opto-coupler protected.	
	Controllable by dry contact (ground control).	
	Compatible with all kinds of access control device. Optional RS232, RS485 or TCP/IP module is available.	
Flow Rate	Wing opening / closing time : 1,5 - 2,0 sec.	
Emergency Mode	System provides a free passageway (entry-exit) by opening the wing in preferred direction configured by dip switch (fail safe). Works compatible with fire warning and similar systems. At the end of an emergency situation, system returns to its normal operating mode.	
Power-off Situation	System provides a free passageway (entry-exit) by manually pushing the wing towards entry or exit directions (fail safe).	
Weight	~95 kg	
Optional Features and Accessories	Wireless remote control (receiver-transmitter), manual control, counter (with/without reset), card reader mounting bracket, heater positive, bottom plate, battery back-up, 316 grade stainless steel, RS232-RS485-TCP/IP modules, different outer body materials (mirror black, bronze, etc), different top lid materials (stainless steel, natural granite, etc), photocell for free mode.	

SALOON



Chrome, matt black
or other optional
colors are available.

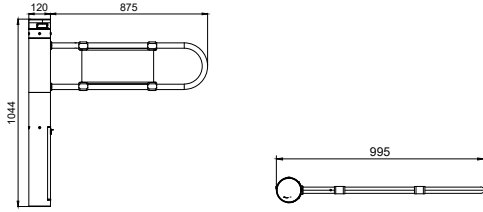


Technical Features

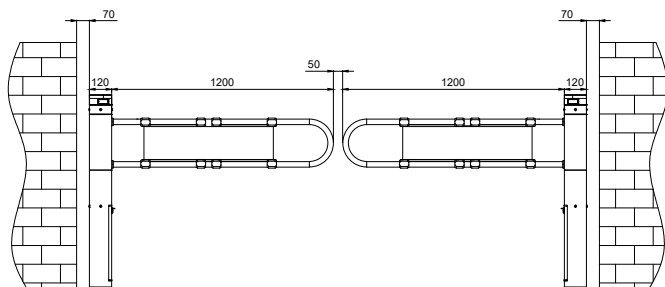
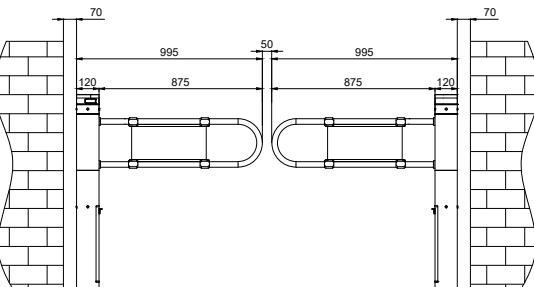
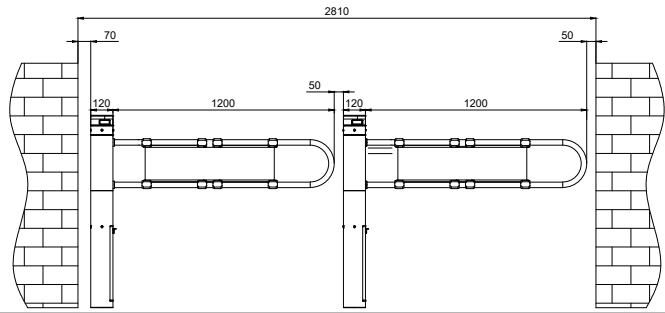
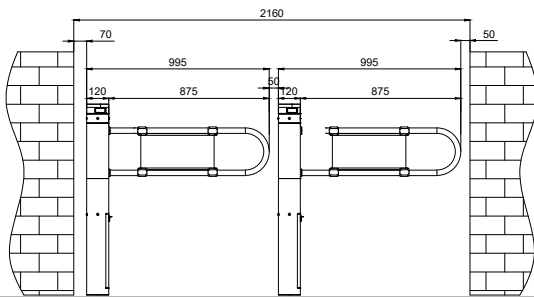
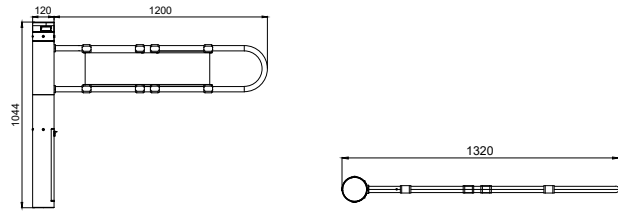
Place of Use	Indoors
Operating Temperature, Humidity	-20°C/+55°C
Operating Intensity	100%, 7/24 use.
Material Features	Body / Top Lid Aluminum body and top lid.
	Finishing Body Chrome or painted in RAL 9005 matt black, optional other colors are available.
	Wing Aluminum wing structure with 875-1200 mm wing width and plexiglass panels.
Indicators	Direction and Passage Indicators : RGB LED under top lid standard.
Power	Operating Voltage : 120/230V AC 50/60 Hz, 24V DC (Motor power supply) Consumption : ~4 W at standby, Max ~25 W
Operating Modes	System operates bi-directionally (entry-exit). Operating modes can be adjusted through the buttons and screen on the control card. Entry - exit controlled Entry - exit free (with optional radar) Entry controlled, exit free (with optional radar) Exit controlled, entry free (with optional radar)
Operating System	Electromechanical motorized operation system (reversible).
Control System	All functions and parameters can be adjusted through the buttons and screen on the control card. Controllable by dry contact. Compatible with all kinds of access control device.
Flow Rate	Opening speed at 90°: 1 sec. (adjustable)
Power-off Situation	System provides a free passageway (entry-exit) by manually pushing the wing towards entry or exit directions (fail safe).
Weight	~17 kg
Optional Features and Accessories	Opening radar, alarm radar, wireless remote control, seperators, different RAL colors, different wing dimensions.

Dimensions (mm)

875 mm Wing Width



1200 mm Wing Width



LERDEN GEÇİREMEDİĞİNİZ
ve PAKETLERİNİZ İÇİN
460 16 70 1 ARAYINIZ



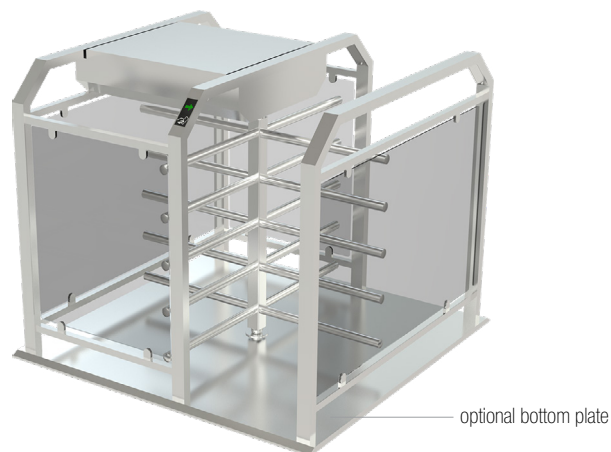
GARAJ İLE İLGİLİ
SORUNLARINIZ İÇİN
0212 460 11 08
ARAYINIZ.
İDARİ İŞLER



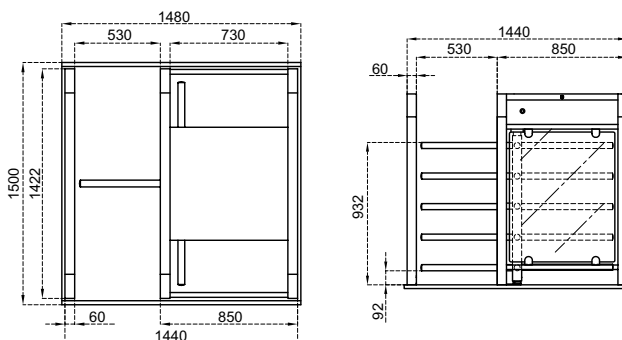
HALF HEIGHT TURNSTILES

72	HT 400
73	HT 400 D

HT 400



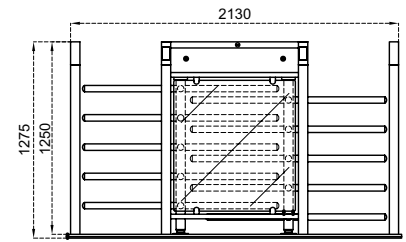
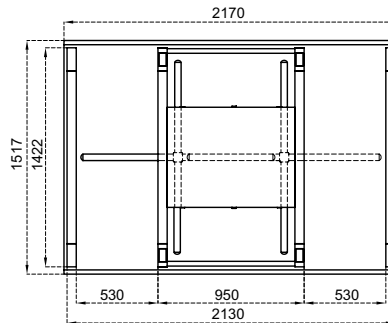
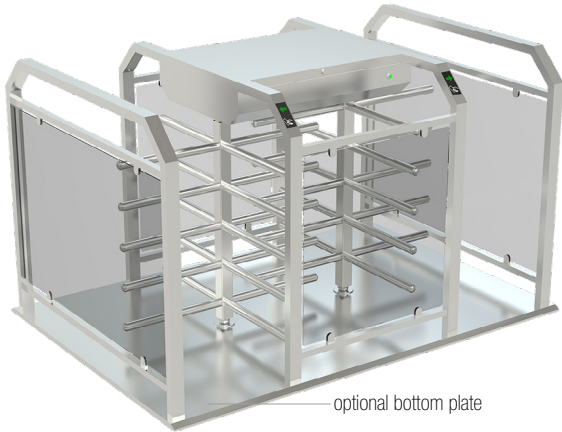
Dimensions (mm)



Technical Features

Place of Use	Indoors, outdoors		
Operating Temperature, Humidity	-20°C/+68°C (opt. -50°C with heater positive), RH 95% non-condensing.		
Operating Intensity	100%, 7/24 use.		
Body / Arm Features	Built on box beam main carriers and contains waterproof protecting top lid. Four-section rotor (90°), each having 5 one by one demountable arms.		
	Combination options with different material choices:		
		HT 400	HT 400-25
Body	Electrostatic powder coating on hot-dip galvanized steel	Electrostatic powder coating on hot-dip galvanized steel	304 grade (opt. 316 grade)* stainless steel
Arms	Electrostatic powder coating on hot-dip galvanized steel, Ø42x2,5 mm.	304 grade (opt. 316 grade)* stainless steel, Ø40x2,0 mm.	304 grade (opt. 316 grade)* stainless steel, Ø40x2,0 mm.
	(*) Finishing : Satine brushed (opt. electrostatic powder coating on stainless steel).		
Indicators	Status - Direction Indicators : DOT MATRIX LED, standard. Passage Indicators : LED standard.		
Power	Operating Voltage : 110/220V AC 50/60 Hz. (±10%), 24V DC. Consumption : ~14W at stand-by, max ~50W (varies according to the options and accessories used).		
Operating Modes	System operates bi-directionally (entry-exit). Operating modes can be adjusted through the buttons and screen on the control card. Entry - exit controlled Entry controlled, exit free Entry free, exit controlled Single input both directions use Entry - exit free		
Operating System	Electromechanical manual operation (opt. electromechanical motorized operation).		
Control System	All functions, parameters and operating modes can be adjusted through the buttons and screen on the control card. All inputs are opto-coupler protected. Controllable by dry contact (ground control). Compatible with all kinds of access control device. Optional RS232, RS485 or TCP/IP module is available.		
Flow Rate	Passage capacity (manual) : max. 50 cycle/min. Nominal : ~25 pass/min. Passage capacity (motorized) : max. 34 cycle/min. Nominal : ~18 pass/min. (nominal passage rate can change depending on the access control system utilized)		
Emergency Mode	System allows free passage (entry-exit) in both directions (fail safe). Works compatible with fire warning and similar systems. At the end of an emergency situation, system returns to its normal operating mode.		
Power-off Situation	System allows free passage (entry-exit) in both directions (fail safe). Optionally, can be set (fail secure) as; entry-exit locked, entry free-exit locked, or entry locked-exit free. Free passage in chosen direction by manual override key in fail secure option is available.		
Weight	~150 kg		
Optional Features and Accessories	Motor driven unit, wireless remote control (receiver-transmitter), manual control, manual override key (with fail secure option), counter (with/without reset), card reader mounting bracket, passage completion sensor, contactless passage sensor (for motorized models), heater positive, bottom plate (standard or for forklift handling), battery back-up, 316 grade stainless steel, RS232-RS485-TCP/IP modules, limiter, different color choices.		

Dimensions (mm)



Technical Features

Place of Use Indoors, outdoors

Operating Temperature, Humidity -20°C/+68°C (opt. -50°C with heater positive), RH 95% non-condensing.

Operating Intensity 100%, 7/24 use.

Built on box beam main carriers and contains waterproof protecting top lid.
Four-section rotor (90°), each having 5 one by one demountable arms.

Combination options with different material choices:

Body / Arm Features	HT 400 D	HT 400 D-25	HT 400 D-100
Body	Electrostatic powder coating on hot-dip galvanized steel	Electrostatic powder coating on hot-dip galvanized steel	304 grade (opt. 316 grade)* stainless steel
Arms	Electrostatic powder coating on hot-dip galvanized steel, Ø42x2,5 mm.	304 grade (opt. 316 grade)* stainless steel, Ø40x2,0 mm.	304 grade (opt. 316 grade)* stainless steel, Ø40x2,0 mm.

(*) Finishing : Satine brushed (opt. electrostatic powder coating on stainless steel).

Indicators **Status - Direction Indicators** : DOT MATRIX LED, standard.
Passage Indicators : LED standard.

Power **Operating Voltage** : 110/220V AC 50/60 Hz. (±10%), 24V DC.
Consumption : ~28W at stand-by, max ~50+50W (varies according to the options and accessories used).

Operating Modes System operates bi-directionally (entry-exit).
Operating modes can be adjusted through the buttons and screen on the control card.
Entry - exit controlled Entry controlled, exit free Entry free, exit controlled
Single input both directions use Entry - exit free

Operating System Electromechanical manual operation (opt. electromechanical motorized operation).

Control System All functions, parameters and operating modes can be adjusted through the buttons and screen on the control card.
All inputs are opto-coupler protected.
Controllable by dry contact (ground control).
Compatible with all kinds of access control device.
Optional RS232, RS485 or TCP/IP module is available.

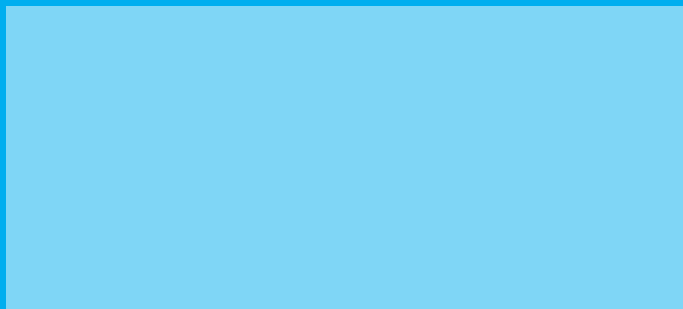
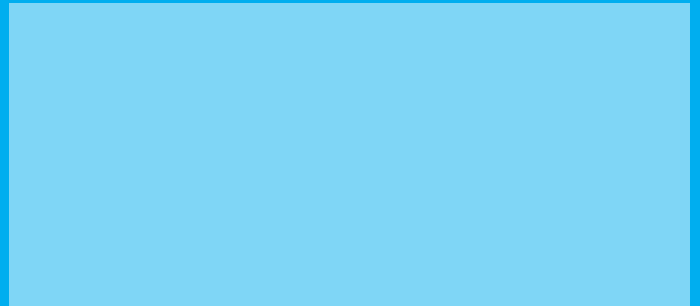
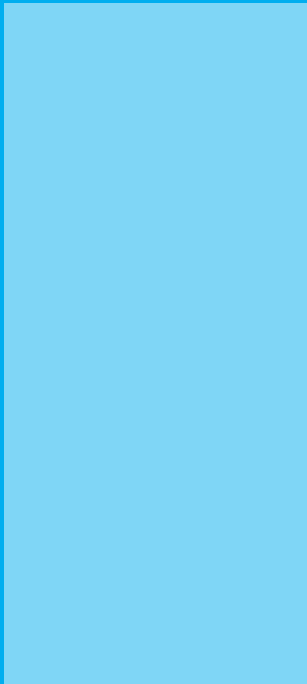
Flow Rate **Passage capacity (manual)** : max. 100 cycle/min. **Nominal** : ~50 pass/min.
Passage capacity (motorized) : max. 68 cycle/min. **Nominal** : ~36 pass/min.
(nominal passage rate can change depending on the access control system utilized)

Emergency Mode System allows free passage (entry-exit) in both directions (fail safe). Works compatible with fire warning and similar systems. At the end of an emergency situation, system returns to its normal operating mode.

Power-off Situation System allows free passage (entry-exit) in both directions (fail safe). Optionally, can be set (fail secure) as; entry-exit locked, entry free-exit locked, or entry locked-exit free. Free passage in chosen direction by manual override key in fail secure option is available.

Weight ~250 kg

Optional Features and Accessories Motor driven unit, wireless remote control (receiver-transmitter), manual control, manual override key (with fail secure option), counter (with/without reset), card reader mounting bracket, passage completion sensor, contactless passage sensor (for motorized models), heater positive, bottom plate (standard or for forklift handling), battery back-up, 316 grade stainless steel, RS232-RS485-TCP/IP modules, limiter, different color choices.



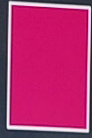
FULL HEIGHT TURNSTILES

78	BT 312
79	BT 312 D
80	BTX 300 N1
81	BTX 300 N1 D
84	BT ROOF 300
85	BT ROOF 300 D
86	BTC 300
87	BTC 300 D
88	BTG 300
89	BTG 300 D
92	BT 402
93	BT 402 D
94	BTX 400 N1
95	BTX 400 N1 D
98	BTC 400
99	BTC 400 D
100	BTG 400
101	BTG 400 D





B2



B2

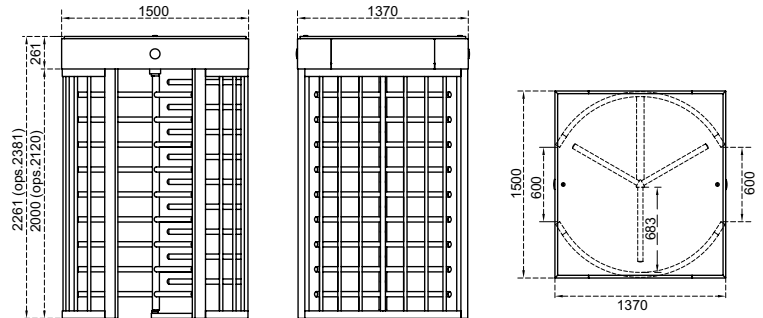
403 404



BT 312



Dimensions (mm)



Technical Features

Place of Use	Indoors, outdoors
Operating Temperature, Humidity	-20°C/+68°C (opt. -50°C with heater positive), RH 95% non-condensing.
Operating Intensity	100%, 7/24 use.

Built on main carriers and supported with pipe beams on sides, consisting of waterproof and protecting top lid, mechanical compartment side panels and completely closed ceiling. Can be completely disassembled.
 Three-section rotor (120°), each having 9 (10 in optional 2120 mm clear passage height) one by one demountable arms.
 Optionally complies with UK H&S regulation of ≤98 mm gap between upright profiles.

Combination options with different material choices:

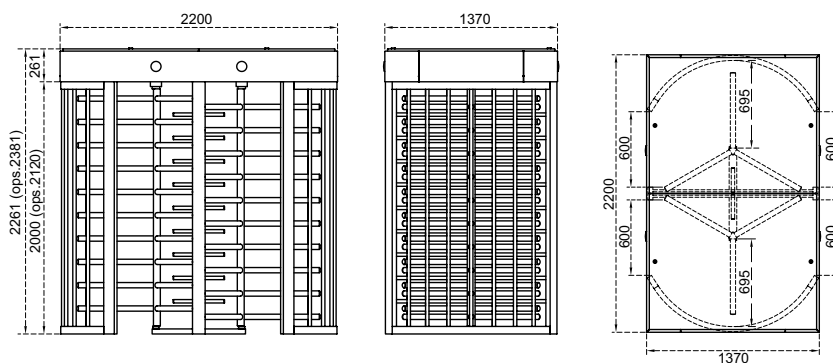
Body / Arm Features	BT 312	BT 312-25	BT 312-100
Body	Electrostatic powder coating on hot-dip galvanized steel	Electrostatic powder coating on hot-dip galvanized steel	304 grade (opt. 316 grade) stainless steel
Arms	Electrostatic powder coating on hot-dip galvanized steel, Ø42x2,5 mm.	304 grade (opt. 316 grade)* stainless steel, Ø40x2,0 mm.	304 grade (opt. 316 grade)* stainless steel, Ø40x2,0 mm.

(* Finishing : Satine brushed (opt. electrostatic powder coating on stainless steel).

Indicators / Illumination	Status - Direction Indicators : LED, standard/LED passageway illumination standard.
Power	Operating Voltage : 110/220V AC 50/60 Hz. (±10%), 24V DC. Consumption : ~8,1W at stand-by, during passage ~7,6W (varies according to the options and accessories used).
Operating Modes	System operates bi-directionally (entry-exit). Operating modes can be adjusted through the buttons and screen on the control card. Entry - exit controlled Entry controlled, exit free Entry free, exit controlled Single input both directions use Entry - exit free
Operating System	Electromechanical manual operation (opt. electromechanical motorized operation).
Control System	All functions, parameters and operating modes can be adjusted through the buttons and screen on the control card. All inputs are opto-coupler protected. Controllable by dry contact (ground control). Compatible with all kinds of access control device. Optional RS232, RS485 or TCP/IP module is available
Flow Rate	Passage capacity (manual) : max. 48 cycle/min. Nominal : ~25 pass/min. Passage capacity (motorized) : max. 40 cycle/min. Nominal : ~20 pass/min. (nominal passage rate can change depending on the access control system utilized)
Emergency Mode	System allows free passage (entry-exit) in both directions (fail safe). Works compatible with fire warning and similar systems. At the end of an emergency situation, system returns to its normal operating mode.
Power-off Situation	System allows free passage (entry-exit) in both directions (fail safe). Optionally, can be set (fail secure) as; entry-exit locked, entry free-exit locked, or entry locked-exit free. Free passage in chosen direction by manual override key in fail secure option is available.
Weight	~275 kg
Optional Features and Accessories	Motor driven unit, wireless remote control (receiver-transmitter), manual control, manual override key (with fail secure option), counter (with/without reset), card reader mounting bracket, passage completion sensor, contactless passage sensor (for motorized models), heater positive, canopy, bottom plate (standard or for forklift handling), battery back-up, 316 grade stainless steel, RS232-RS485-TCP/IP modules, limiter, 2120 mm clear passage height, mechanics compartment accessibility from the ceiling, trombone arms, different color choices, compliance with UK H&S regulation of ≤98 mm gap between upright profiles.



Dimensions (mm)



Technical Features

Place of Use Indoors, outdoors

Operating Temperature, Humidity -20°C/+68°C (opt. -50°C with heater positive), RH 95% non-condensing.

Operating Intensity 100%, 7/24 use.

Built on main carriers and supported with pipe beams on sides, consisting of waterproof and protecting top lid, mechanical compartment side panels and completely closed ceiling. Can be completely disassembled.
A pair of three-section rotors (120°), each having 10+10 (11+11 in optional 2120 mm clear passage height) one by one demountable arms.
Optionally complies with UK H&S regulation of ≤98 mm gap between upright profiles.

Body / Arm Features

Combination options with different material choices:

	BT 312 D	BT 312 D-25	BT 312 D-100
Body	Electrostatic powder coating on hot-dip galvanized steel	Electrostatic powder coating on hot-dip galvanized steel	304 grade (opt. 316 grade) stainless steel
Arms	Electrostatic powder coating on hot-dip galvanized steel, Ø42x2,5 mm.	304 grade (opt. 316 grade)* stainless steel, Ø40x2,0 mm.	304 grade (opt. 316 grade)* stainless steel, Ø40x2,0 mm.

(*) Finishing : Satine brushed (opt. electrostatic powder coating on stainless steel).

Indicators / Illumination **Status - Direction Indicators** : LED, standard/LED passageway illumination standard.

Power **Operating Voltage** : 110/220V AC 50/60 Hz. (±10%), 24V DC.
Consumption : ~16,2W at stand-by, during passage ~7,6+7,6W (varies according to the options and accessories used).

Operating Modes System operates bi-directionally (entry-exit).
Operating modes can be adjusted through the buttons and screen on the control card.
Entry - exit controlled Entry controlled, exit free Entry free, exit controlled
Single input both directions use Entry - exit free

Operating System Electromechanical manual operation (opt. electromechanical motorized operation).

Control System All functions, parameters and operating modes can be adjusted through the buttons and screen on the control card.
All inputs are opto-coupler protected.
Controllable by dry contact (ground control).
Compatible with all kinds of access control device.
Optional RS232, RS485 or TCP/IP module is available.

Flow Rate **Passage capacity (manual)** : max. 96 cycle/min. **Nominal** : ~50 pass/min.
Passage capacity (motorized) : max. 80 cycle/min. **Nominal** : ~40 pass/min.
(nominal passage rate can change depending on the access control system utilized)

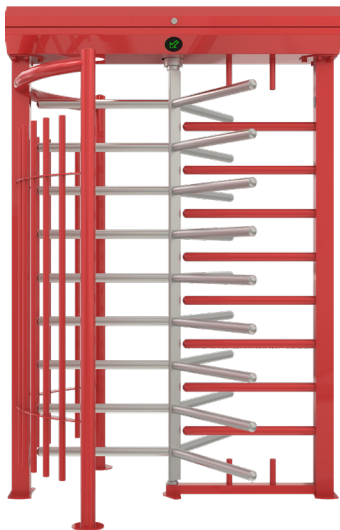
Emergency Mode System allows free passage (entry-exit) in both directions (fail safe). Works compatible with fire warning and similar systems. At the end of an emergency situation, system returns to its normal operating mode.

Power-off Situation System allows free passage (entry-exit) in both directions (fail safe). Optionally, can be set (fail secure) as; entry-exit locked, entry free-exit locked, or entry locked-exit free. Free passage in chosen direction by manual override key in fail secure option is available.

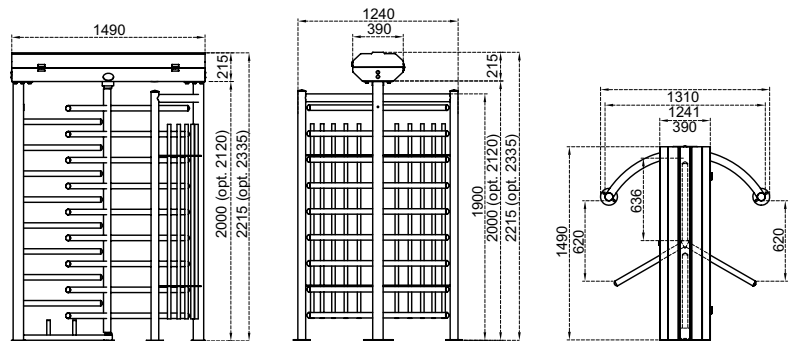
Weight ~530 kg

Optional Features and Accessories Motor driven unit, wireless remote control (receiver-transmitter), manual control, manual override key (with fail secure option), counter (with/without reset), card reader mounting bracket, passage completion sensor, contactless passage sensor (for motorized models), heater positive, canopy, bottom plate (standard or for forklift handling), battery back-up, 316 grade stainless steel, RS232-RS485-TCP/IP modules, limiter, 2120 mm clear passage height, mechanics compartment accessibility from the ceiling, different color choices, compliance with UK H&S regulation of ≤98 mm gap between upright profiles.

BTX 300 N1



Dimensions (mm)





Technical Features

Place of Use	Indoors, outdoors
Operating Temperature, Humidity	-20°C/+68°C (opt. -50°C with heater positive), RH 95% non-condensing.
Operating Intensity	100%, 7/24 use.
	Built on main carriers and supported with pipe beams on sides, consisting of waterproof and protected top lid with damper for safety. Can be completely disassembled. Three-section rotor (120°), each having 9 (10 in optional 2120 mm clear passage height) one by one demountable arms. Complies with UK H&S regulation of ≤98 mm gap between upright profiles.

Combination options with different material choices:

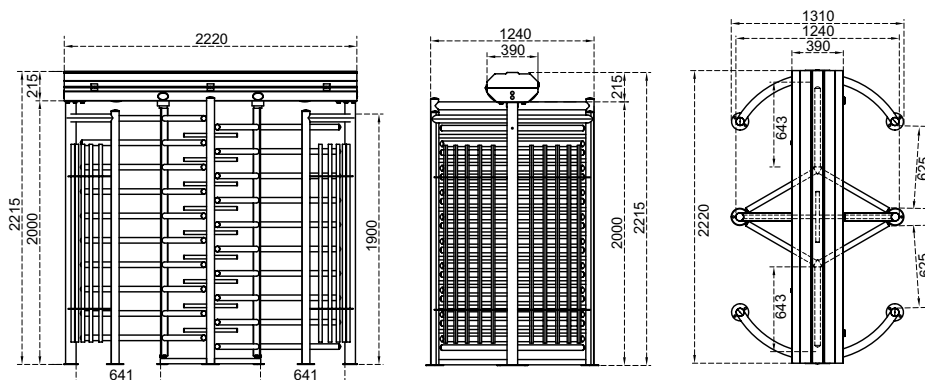
Body / Arm Features	BTX 300 N1	BTX 300 N1-25	BTX 300 N1-100
Body	Electrostatic powder coating on hot-dip galvanized steel	Electrostatic powder coating on hot-dip galvanized steel	304 grade (opt. 316 grade) stainless steel
Arms	Electrostatic powder coating on hot-dip galvanized steel, Ø42x2,5 mm.	304 grade (opt. 316 grade)* stainless steel, Ø40x2,0 mm.	304 grade (opt. 316 grade)* stainless steel, Ø40x2,0 mm.

(*) Finishing : Satine brushed (opt. electrostatic powder coating on stainless steel).

Indicators / Illumination	Status - Direction Indicators :   LED, standard/LED passageway illumination standard.
Power	Operating Voltage : 110/220V AC 50/60 Hz. (±10%), 24V DC. Consumption : ~8,1W at stand-by, during passage ~7,6W (varies according to the options and accessories used).
Operating Modes	System operates bi-directionally (entry-exit). Operating modes can be adjusted through the buttons and screen on the control card. Entry - exit controlled Entry controlled, exit free Entry free, exit controlled Single input both directions use Entry - exit free
Operating System	Electromechanical manual operation (opt. electromechanical motorized operation).
Control System	All functions, parameters and operating modes can be adjusted through the buttons and screen on the control card. All inputs are opto-coupler protected. Controllable by dry contact (ground control). Compatible with all kinds of access control device. Optional RS232, RS485 or TCP/IP module is available.
Flow Rate	Passage capacity (manual) : max. 48 cycle/min. Nominal : ~25 pass/min. Passage capacity (motorized) : max. 40 cycle/min. Nominal : ~20 pass/min. (nominal passage rate can change depending on the access control system utilized)
Emergency Mode	System allows free passage (entry-exit) in both directions (fail safe). Works compatible with fire warning and similar systems. At the end of an emergency situation, system returns to its normal operating mode.
Power-off Situation	System allows free passage (entry-exit) in both directions (fail safe). Optionally, can be set (fail secure) as; entry-exit locked, entry free-exit locked, or entry locked-exit free. Free passage in chosen direction by manual override key in fail secure option is available.
Weight	~190 kg
Optional Features and Accessories	Motor driven unit, wireless remote control (receiver-transmitter), manual control, manual override key (with fail secure option), counter (with/without reset), card reader mounting bracket, passage completion sensor, contactless passage sensor (for motorized models), heater positive, canopy, bottom plate (standard or for forklift handling), battery back-up, 316 grade stainless steel, RS232-RS485-TCP/IP modules, limiter, 2120 mm clear passage height, mechanics compartment accessibility from the ceiling, trombone arms, different color choices.



Dimensions (mm)



Technical Features

Place of Use Indoors, outdoors

Operating Temperature, Humidity -20°C/+68°C (opt. -50°C with heater positive), RH 95% non-condensing.

Operating Intensity 100%, 7/24 use.

Built on main carriers and supported with pipe beams on sides, consisting of waterproof and protected top lid with damper for safety. Can be completely disassembled.

A pair of three-section rotors (120°), each having 10+10 (11+11 in optional 2120 mm clear passage height) one by one demountable arms.

Complies with UK H&S regulation of ≤98 mm gap between upright profiles.

Body / Arm Features

Combination options with different material choices:

	BTX 300 N1 D	BTX 300 N1 D-25	BTX 300 N1 D-100
Body	Electrostatic powder coating on hot-dip galvanized steel	Electrostatic powder coating on hot-dip galvanized steel	304 grade (opt. 316 grade) stainless steel
Arms	Electrostatic powder coating on hot-dip galvanized steel, Ø42x2,5 mm.	304 grade (opt. 316 grade)* stainless steel, Ø40x2,0 mm.	304 grade (opt. 316 grade)* stainless steel, Ø40x2,0 mm.

(*) Finishing : Satine brushed (opt. electrostatic powder coating on stainless steel).

Indicators / Illumination **Status - Direction Indicators :** LED, standard/LED passageway illumination standard.

Power **Operating Voltage** : 110/220V AC 50/60 Hz. (±10%), 24V DC.
Consumption : ~16,2W at stand-by, during passage ~7,6+7,6W (varies according to the options and accessories used).

Operating Modes System operates bi-directionally (entry-exit).
Operating modes can be adjusted through the buttons and screen on the control card.
Entry - exit controlled Entry controlled, exit free Entry free, exit controlled
Single input both directions use Entry - exit free

Operating System Electromechanical manual operation (opt. electromechanical motorized operation).

Control System All functions, parameters and operating modes can be adjusted through the buttons and screen on the control card.
All inputs are opto-coupler protected.
Controllable by dry contact (ground control).
Compatible with all kinds of access control device.
Optional RS232, RS485 or TCP/IP module is available.

Flow Rate **Passage capacity (manual)** : max. 96 cycle/min. **Nominal** : ~50 pass/min.
Passage capacity (motorized) : max. 80 cycle/min. **Nominal** : ~40 pass/min.
(nominal passage rate can change depending on the access control system utilized)

Emergency Mode System allows free passage (entry-exit) in both directions (fail safe). Works compatible with fire warning and similar systems. At the end of an emergency situation, system returns to its normal operating mode.

Power-off Situation System allows free passage (entry-exit) in both directions (fail safe). Optionally, can be set (fail secure) as; entry-exit locked, entry free-exit locked, or entry locked-exit free. Free passage in chosen direction by manual override key in fail secure option is available.

Weight ~365 kg

Optional Features and Accessories Motor driven unit, wireless remote control (receiver-transmitter), manual control, manual override key (with fail secure option), counter (with/without reset), card reader mounting bracket, passage completion sensor, contactless passage sensor (for motorized models), heater positive, canopy, bottom plate (standard or for forklift handling), battery back-up, 316 grade stainless steel, RS232-RS485-TCP/IP modules, limiter, 2120 mm clear passage height, mechanics compartment accessibility from the ceiling, different color choices.



76

Maden ve
sektörü

3

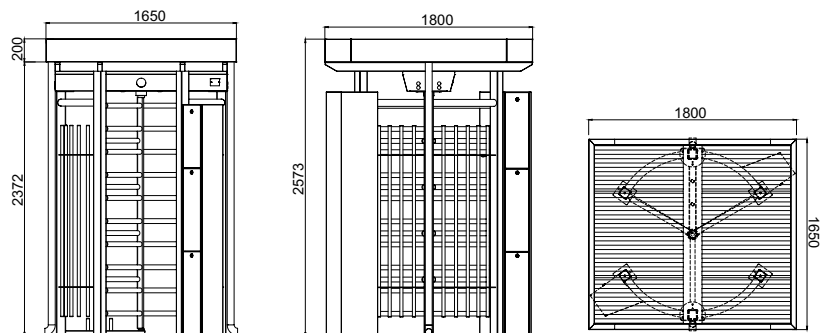


*2011 PE

BT ROOF 300



Dimensions (mm)



Technical Features

Place of Use	Indoors, outdoors
Operating Temperature, Humidity	-20°C/+68°C (opt. -50°C with heater positive), RH 95% non-condensing.
Operating Intensity	100%, 7/24 use.



Built on main carriers and supported with box type beams on sides.
 There are columns with 3 sections designed for installation of electronic system, card reader and access control systems in both entry and exit directions.
 Roof covered with corrugated (galvanized painted) steel.
 Mechanics compartment accessibility from the ceiling.
 Rain gutters (304 grade stainless steel)
 Three-section rotor (120°), each having 10 one by one demountable arms.
 Complies with UK H&S regulation of ≤98 mm gap between upright profiles.

Body / Arm Features

Combination options with different material choices:

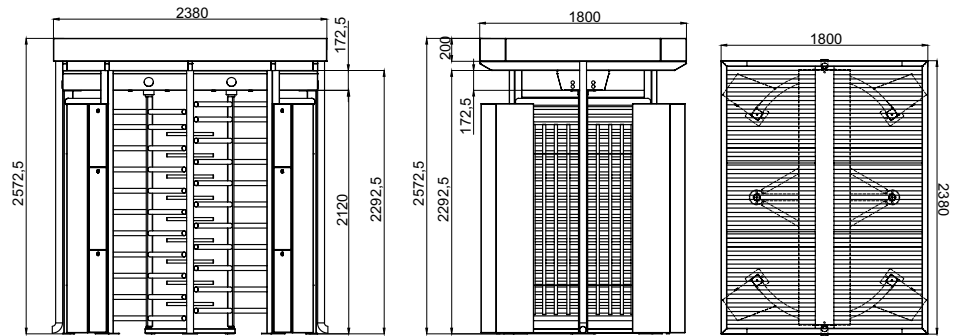
	BT ROOF 300	BT ROOF 300 -25	BT ROOF 300-100
Body	Electrostatic powder coating on hot-dip galvanized steel	Electrostatic powder coating on hot-dip galvanized steel	304 grade (opt. 316 grade) stainless steel
Arms	Electrostatic powder coating on hot-dip galvanized steel, Ø42x2,5 mm.	304 grade (opt. 316 grade)* stainless steel, Ø40x2,0 mm.	304 grade (opt. 316 grade)* stainless steel, Ø40x2,0 mm.

(* Finishing : Satine brushed (opt. electrostatic powder coating on stainless steel).

Indicators / Illumination	Status - Direction Indicators :   LED, standard/LED passageway illumination standard.
Power	Operating Voltage : 110/220V AC 50/60 Hz. (±10%), 24V DC. Consumption : ~8,1W at stand-by, during passage ~7,6W (varies according to the options and accessories used).
Operating Modes	System operates bi-directionally (entry-exit). Operating modes can be adjusted through the buttons and screen on the control card. Entry - exit controlled Entry controlled, exit free Entry free, exit controlled Single input both directions use Entry - exit free
Operating System	Electromechanical manual operation (opt. electromechanical motorized operation).
Control System	All functions, parameters and operating modes can be adjusted through the buttons and screen on the control card. All inputs are opto-coupler protected. Controllable by dry contact (ground control). Compatible with all kinds of access control device. Optional RS232, RS485 or TCP/IP module is available.
Flow Rate	Passage capacity (manual) : max. 48 cycle/min. Nominal : ~25 pass/min. Passage capacity (motorized) : max. 40 cycle/min. Nominal : ~20 pass/min. (nominal passage rate can change depending on the access control system utilized)
Emergency Mode	System allows free passage (entry-exit) in both directions (fail safe). Works compatible with fire warning and similar systems. At the end of an emergency situation, system returns to its normal operating mode.
Power-off Situation	System allows free passage (entry-exit) in both directions (fail safe). Optionally, can be set (fail secure) as: entry-exit locked, entry free-exit locked, or entry locked-exit free. Free passage in chosen direction by manual override key in fail secure option is available.
Weight	~300 kg
Optional Features and Accessories	Motor driven unit, wireless remote control (receiver-transmitter), manual control, manual override key (with fail secure option), counter (with/without reset), card reader mounting bracket, passage completion sensor, contactless passage sensor (for motorized models), heater positive, canopy, bottom plate (standard or for forklift handling), battery back-up, 316 grade stainless steel, RS232-RS485-TCP/IP modules, limiter, trombone arms, different color choices.



Dimensions (mm)



Technical Features

Place of Use	Indoors, outdoors
Operating Temperature, Humidity	-20°C/+68°C (opt. -50°C with heater positive), RH 95% non-condensing.
Operating Intensity	100%, 7/24 use.

Built on main carriers and supported with box type beams on sides.
 There are columns with 3 sections designed for installation of electronic system, card reader and access control systems in both entry and exit directions.
 Roof covered with corrugated (galvanized painted) steel.
 Mechanics compartment accessibility from the ceiling.
 Rain gutters (304 grade stainless steel)
 Three-section rotor (120°), each having 11+11 one by one demountable arms.
 Complies with UK H&S regulation of ≤98 mm gap between upright profiles.

Body / Arm Features

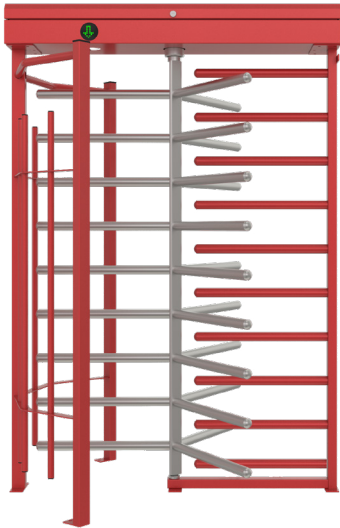
Combination options with different material choices:

	BT ROOF 300 D	BT ROOF 300 D-25	BT ROOF 300 D-100
Body	Electrostatic powder coating on hot-dip galvanized steel	Electrostatic powder coating on hot-dip galvanized steel	304 grade (opt. 316 grade) stainless steel
Arms	Electrostatic powder coating on hot-dip galvanized steel, Ø42x2,5 mm.	304 grade (opt. 316 grade)* stainless steel, Ø40x2,0 mm.	304 grade (opt. 316 grade)* stainless steel, Ø40x2,0 mm.

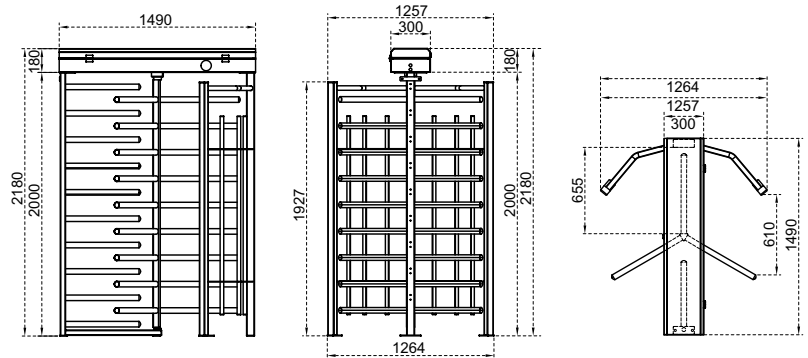
(* Finishing : Satine brushed (opt. electrostatic powder coating on stainless steel).

Indicators / Illumination	Status - Direction Indicators : LED, standard/LED passageway illumination standard.
Power	Operating Voltage : 110/220V AC 50/60 Hz. (±10%), 24V DC. Consumption : ~16,2W at stand-by, during passage ~7,6+7,6W (varies according to the options and accessories used).
Operating Modes	System operates bi-directionally (entry-exit). Operating modes can be adjusted through the buttons and screen on the control card. Entry - exit controlled Entry controlled, exit free Entry free, exit controlled Single input both directions use Entry - exit free
Operating System	Electromechanical manual operation (opt. electromechanical motorized operation).
Control System	All functions, parameters and operating modes can be adjusted through the buttons and screen on the control card. All inputs are opto-coupler protected. Controllable by dry contact (ground control). Compatible with all kinds of access control device. Optional RS232, RS485 or TCP/IP module is available.
Flow Rate	Passage capacity (manual) : max. 96 cycle/min. Nominal : ~50 pass/min. Passage capacity (motorized) : max. 80 cycle/min. Nominal : ~40 pass/min. (nominal passage rate can change depending on the access control system utilized)
Emergency Mode	System allows free passage (entry-exit) in both directions (fail safe). Works compatible with fire warning and similar systems. At the end of an emergency situation, system returns to its normal operating mode.
Power-off Situation	System allows free passage (entry-exit) in both directions (fail safe). Optionally, can be set (fail secure) as; entry-exit locked, entry free-exit locked, or entry locked-exit free. Free passage in chosen direction by manual override key in fail secure option is available.
Weight	~690 kg
Optional Features and Accessories	Motor driven unit, wireless remote control (receiver-transmitter), manual control, manual override key (with fail secure option), counter (with/without reset), card reader mounting bracket, passage completion sensor, contactless passage sensor (for motorized models), heater positive, canopy, bottom plate (standard), battery back-up, 316 grade stainless steel, RS232-RS485-TCP/IP modules, limiter, different color choices.

BTC 300



Dimensions (mm)



Technical Features

Place of Use	Indoors, outdoors
Operating Temperature, Humidity	-20°C/+68°C (opt. -50°C with heater positive), RH 95% non-condensing.
Operating Intensity	100%, 7/24 use.



Built on main carriers and supported with pipe beams on sides, consisting of waterproof and protected top lid with damper for safety. Can be completely disassembled.

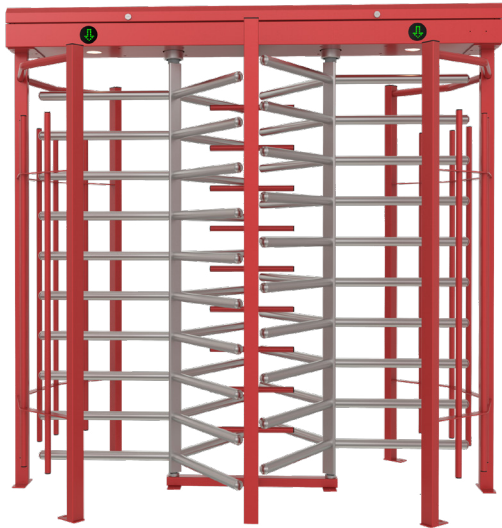
Three-section rotor (120°), each having 9 (10 in optional 2120 mm clear passage height) one by one demountable arms. Optionally complies with UK H&S regulation of ≤98 mm gap between upright profiles.

Combination options with different material choices:

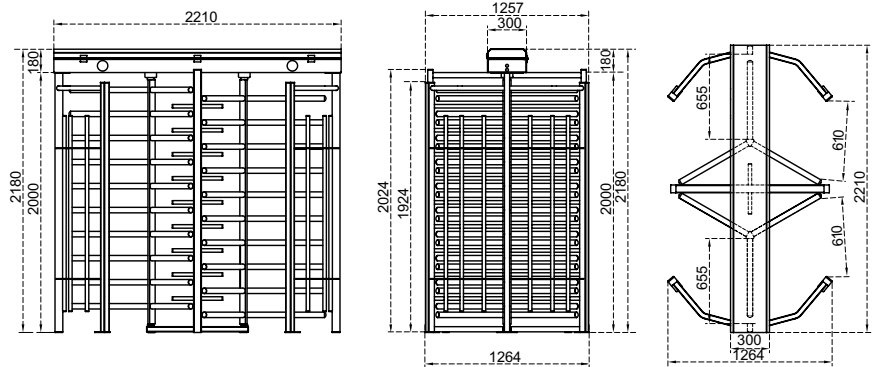
Body / Arm Features	BTC 300	BTC 300-25	BTC 300-100
Body	Electrostatic powder coating on hot-dip galvanized steel	Electrostatic powder coating on hot-dip galvanized steel	304 grade (opt. 316 grade) stainless steel
Arms	Electrostatic powder coating on hot-dip galvanized steel, Ø42x2,5 mm.	304 grade (opt. 316 grade)* stainless steel, Ø40x2,0 mm.	304 grade (opt. 316 grade)* stainless steel, Ø40x2,0 mm.

(*) Finishing : Satine brushed (opt. electrostatic powder coating on stainless steel).

Indicators / Illumination	Status - Direction Indicators :   LED, standard/LED passageway illumination standard.
Power	Operating Voltage : 110/220V AC 50/60 Hz. (%±10), 24V DC. Consumption : ~8,1W at stand-by, during passage ~7,6W (varies according to the options and accessories used).
Operating Modes	System operates bi-directionally (entry-exit). Operating modes can be adjusted through the buttons and screen on the control card. Entry - exit controlled Entry controlled, exit free Entry free, exit controlled Single input both directions use Entry - exit free
Operating System	Electromechanical manual operation (opt. electromechanical motorized operation).
Control System	All functions, parameters and operating modes can be adjusted through the buttons and screen on the control card. All inputs are opto-coupler protected. Controllable by dry contact (ground control). Compatible with all kinds of access control device. Optional RS232, RS485 or TCP/IP module is available.
Flow Rate	Passage capacity (manual) : max. 48 cycle/min. Nominal : ~25 pass/min. Passage capacity (motorized) : max. 40 cycle/min. Nominal : ~20 pass/min. (nominal passage rate can change depending on the access control system utilized)
Emergency Mode	System allows free passage (entry-exit) in both directions (fail safe). Works compatible with fire warning and similar systems. At the end of an emergency situation, system returns to its normal operating mode.
Power-off Situation	System allows free passage (entry-exit) in both directions (fail safe). Optionally, can be set (fail secure) as; entry-exit locked, entry free-exit locked, or entry locked-exit free. Free passage in chosen direction by manual override key in fail secure option is available.
Weight	~175 kg
Optional Features and Accessories	Motor driven unit, wireless remote control (receiver-transmitter), manual control, manual override key (with fail secure option), counter (with/without reset), card reader mounting bracket, passage completion sensor, contactless passage sensor (for motorized models), heater positive, canopy, bottom plate (standard or for forklift handling), battery back-up, 316 grade stainless steel, RS232-RS485-TCP/IP modules, limiter, 2120 mm clear passage height, trombone arms, different color choices, compliance with UK H&S regulation of ≤98 mm gap between upright profiles.



Dimensions (mm)



Technical Features

Place of Use Indoors, outdoors

Operating Temperature, Humidity -20°C/+68°C (opt. -50°C with heater positive), RH 95% non-condensing.

Operating Intensity 100%, 7/24 use.

Built on main carriers and supported with pipe beams on sides, consisting of waterproof and protected top lid with damper for safety. Can be completely disassembled.

A pair of three-section rotors (120°), each having 10+10 (11+11 in optional 2120 mm clear passage height) one by one demountable arms.



Optionally complies with UK H&S regulation of ≤98 mm gap between upright profiles.

Body / Arm Features

Combination options with different material choices:

	BTC 300 D	BTC 300 D-25	BTC 300 D-100
Body	Electrostatic powder coating on hot-dip galvanized steel	Electrostatic powder coating on hot-dip galvanized steel	304 grade (opt. 316 grade) stainless steel
Arms	Electrostatic powder coating on hot-dip galvanized steel, Ø42x2,5 mm.	304 grade (opt. 316 grade)* stainless steel, Ø40x2,0 mm.	304 grade (opt. 316 grade)* stainless steel, Ø40x2,0 mm.

(*) Finishing : Satine brushed (opt. electrostatic powder coating on stainless steel).

Indicators / Illumination **Status - Direction Indicators** :   LED, standard/LED passageway illumination standard.

Power **Operating Voltage** : 110/220V AC 50/60 Hz. (%±10), 24V DC.
Consumption : ~16,2W at stand-by, during passage ~7,6+7,6W (varies according to the options and accessories used).

Operating Modes System operates bi-directionally (entry-exit).
Operating modes can be adjusted through the buttons and screen on the control card.
Entry - exit controlled Entry controlled, exit free Entry free, exit controlled
Single input both directions use Entry - exit free

Operating System Electromechanical manual operation (opt. electromechanical motorized operation).

Control System All functions, parameters and operating modes can be adjusted through the buttons and screen on the control card.
All inputs are opto-coupler protected.
Controllable by dry contact (ground control).
Compatible with all kinds of access control device.
Optional RS232, RS485 or TCP/IP module is available.

Flow Rate **Passage capacity (manual)** : max. 96 cycle/min. **Nominal** : ~50 pass/min.
Passage capacity (motorized) : max. 80 cycle/min. **Nominal** : ~40 pass/min.
(nominal passage rate can change depending on the access control system utilized)

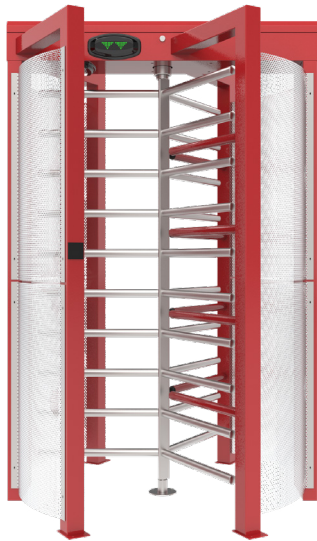
Emergency Mode System allows free passage (entry-exit) in both directions (fail safe). Works compatible with fire warning and similar systems. At the end of an emergency situation, system returns to its normal operating mode.

Power-off Situation System allows free passage (entry-exit) in both directions (fail safe). Optionally, can be set (fail secure) as; entry-exit locked, entry free-exit locked, or entry locked-exit free. Free passage in chosen direction ~by manual override key in fail secure option is available.

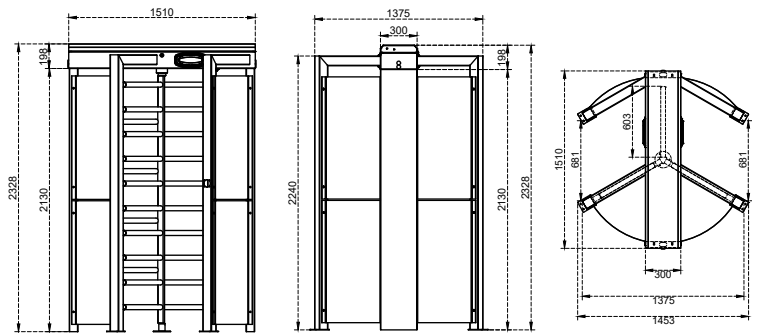
Weight ~335 kg

Optional Features and Accessories Motor driven unit, wireless remote control (receiver-transmitter), manual control, manual override key (with fail secure option), counter (with/without reset), card reader mounting bracket, passage completion sensor, contactless passage sensor (for motorized models), heater positive, canopy, bottom plate (standard or for forklift handling), battery back-up, 316 grade stainless steel, RS232-RS485-TCP/IP modules, limiter, 2120 mm clear passage height, different color choices, compliance with UK H&S regulation of ≤98 mm gap between upright profiles.

BTG 300



Dimensions (mm)




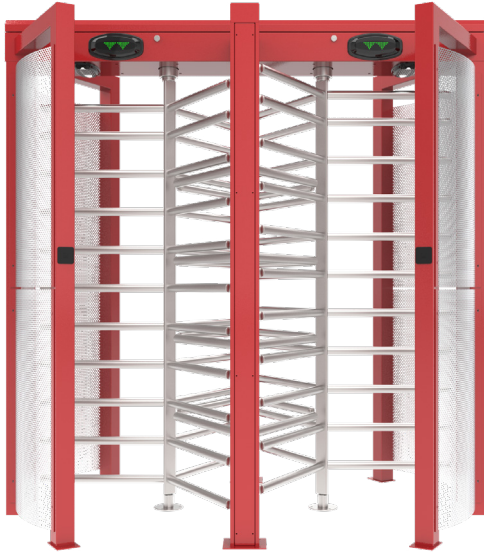
Place of Use	Indoors, outdoors
Operating Temperature, Humidity	-20°C/+68°C (opt. -50°C with heater positive), RH 95% non-condensing.
Operating Intensity	100%, 7/24 use.

Built on main carriers and supported with profiles on sides and perforated sheet separators, consisting of waterproof and protected top lid with damper for safety. Can be completely disassembled.
Three-section rotor (120°), each having 10 one by one demountable arms.

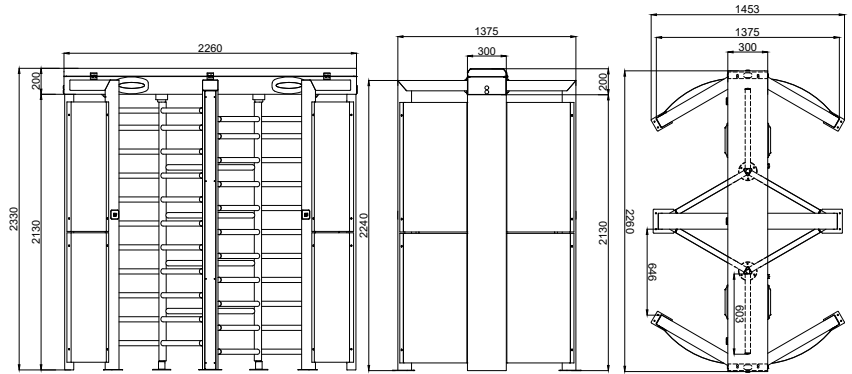
Combination options with different material choices:

Body / Arm Features	BTG 300	BTG 300 - 25	BTG 300 - 100
Body	Electrostatic powder coating on hot-dip galvanized steel	Electrostatic powder coating on hot-dip galvanized steel	304 grade stainless steel
Arms	Electrostatic powder coating on hot-dip galvanized steel, Ø42x2,5 mm.	304 grade stainless steel, Ø40x2,0 mm.	304 grade stainless steel, Ø40x2,0 mm.
Perforated Sheet Separators	304 grade stainless steel	304 grade stainless steel	304 grade stainless steel

Indicators / Illumination	Status - Direction Indicators :  LED, standard/LED passageway illumination standard.
Power	Operating Voltage : 110/220V AC 50/60 Hz. (±10%), 24V DC. Consumption : ~8,1W at stand-by, during passage ~7,6W (varies according to the options and accessories used).
Operating Modes	System operates bi-directionally (entry-exit). Operating modes can be adjusted through the buttons and screen on the control card. Entry - exit controlled Entry controlled, exit free Entry free, exit controlled Single input both directions use Entry - exit free
Operating System	Electromechanical manual operation (opt. electromechanical motorized operation).
Control System	All functions, parameters and operating modes can be adjusted through the buttons and screen on the control card. All inputs are opto-coupler protected. Controllable by dry contact (ground control). Compatible with all kinds of access control device. Optional RS232, RS485 or TCP/IP module is available.
Flow Rate	Passage capacity (manual) : max. 48 cycle/min. Nominal : ~25 pass/min. Passage capacity (motorized) : max. 40 cycle/min. Nominal : ~20 pass/min. (nominal passage rate can change depending on the access control system utilized)
Emergency Mode	System allows free passage (entry-exit) in both directions (fail safe). Works compatible with fire warning and similar systems. At the end of an emergency situation, system returns to its normal operating mode.
Power-off Situation	System allows free passage (entry-exit) in both directions (fail safe). Optionally, can be set (fail secure) as; entry-exit locked, entry free-exit locked, or entry locked-exit free. Free passage in chosen direction by manual override key in fail secure option is available.
Weight	~275 kg
Optional Features and Accessories	Motor driven unit, wireless remote control (receiver-transmitter), manual control, manual override key (with fail secure option), counter (with/without reset), card reader mounting bracket, passage completion sensor, contactless passage sensor (for motorized models), heater positive, bottom plate (standard or for forklift handling), battery back-up, RS232-RS485-TCP/IP modules, limiter, different color choices.



Dimensions (mm)




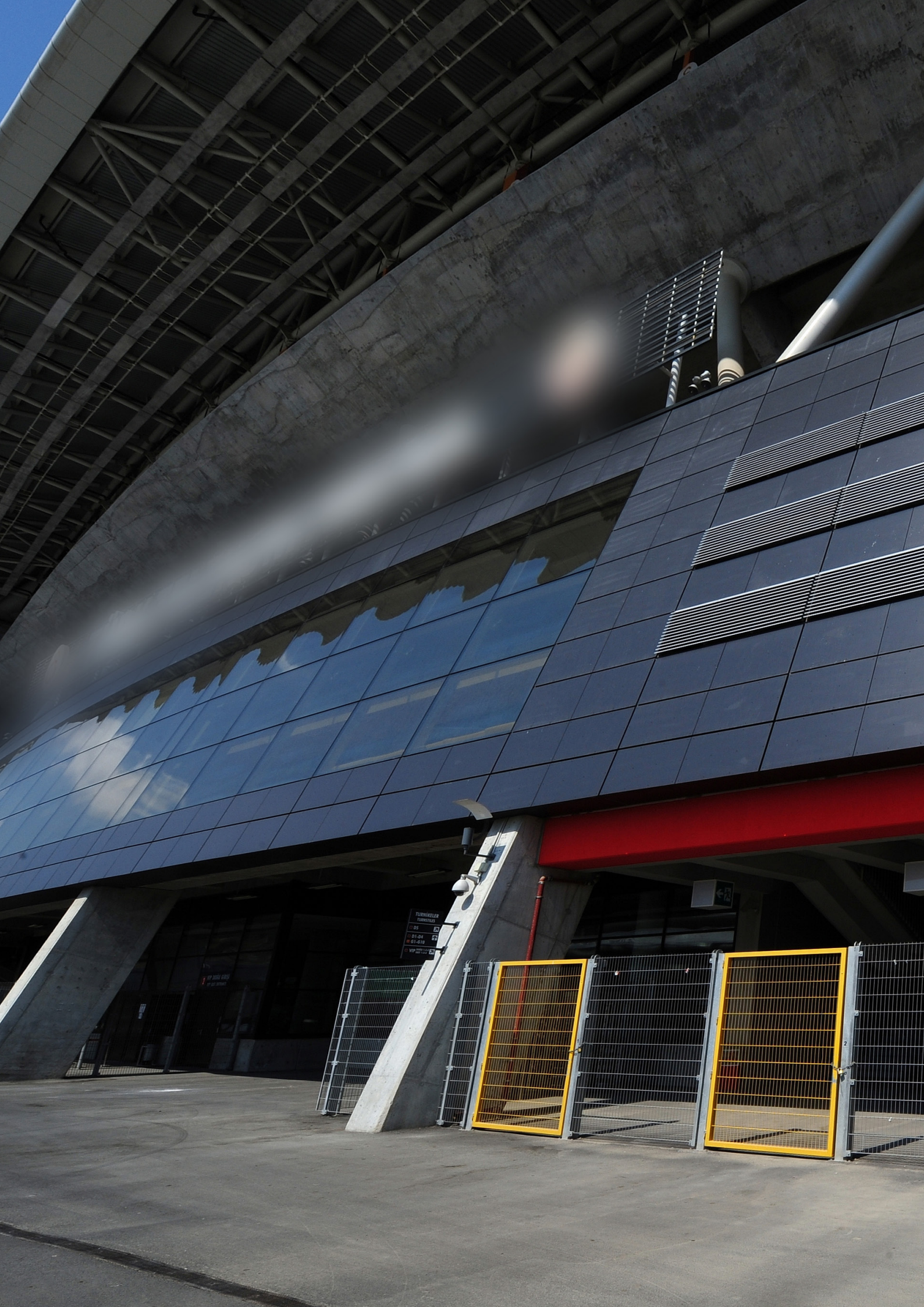
Place of Use	Indoors, outdoors
Operating Temperature, Humidity	-20°C/+68°C (opt. -50°C with heater positive), RH 95% non-condensing.
Operating Intensity	100%, 7/24 use.

Built on main carriers and supported with profiles on sides and perforated sheet separators, consisting of waterproof and protected top lid with damper for safety. Can be completely disassembled.
A pair of three-section rotors (120°), each having 11+11 one by one demountable arms.

Combination options with different material choices:

Body / Arm Features	BTG 300 D	BTG 300 D - 25	BTG 300 D -100
Body	Electrostatic powder coating on hot-dip galvanized steel	Electrostatic powder coating on hot-dip galvanized steel	304 grade stainless steel
Arms	Electrostatic powder coating on hot-dip galvanized steel, Ø42x2,5 mm.	304 grade stainless steel, Ø40x2,0 mm.	304 grade stainless steel, Ø40x2,0 mm.
Perforated Sheet Separators	304 grade stainless steel	304 grade stainless steel	304 grade stainless steel

Indicators / Illumination	Status - Direction Indicators :  LED, standard/LED passageway illumination standard.
Power	Operating Voltage : 110/220V AC 50/60 Hz. (±10%), 24V DC. Consumption : ~16,2W at stand-by, during passage ~7,6+7,6W (varies according to the options and accessories used).
Operating Modes	System operates bi-directionally (entry-exit). Operating modes can be adjusted through the buttons and screen on the control card. Entry - exit controlled Entry controlled, exit free Entry free, exit controlled Single input both directions use Entry - exit free
Operating System	Electromechanical manual operation (opt. electromechanical motorized operation).
Control System	All functions, parameters and operating modes can be adjusted through the buttons and screen on the control card. All inputs are opto-coupler protected. Controllable by dry contact (ground control). Compatible with all kinds of access control device. Optional RS232, RS485 or TCP/IP module is available.
Flow Rate	Passage capacity (manual) : max. 96 cycle/min. Nominal : ~50 pass/min. Passage capacity (motorized) : max. 80 cycle/min. Nominal : ~40 pass/min. (nominal passage rate can change depending on the access control system utilized)
Emergency Mode	System allows free passage (entry-exit) in both directions (fail safe). Works compatible with fire warning and similar systems. At the end of an emergency situation, system returns to its normal operating mode.
Power-off Situation	System allows free passage (entry-exit) in both directions (fail safe). Optionally, can be set (fail secure) as; entry-exit locked, entry free-exit locked, or entry locked-exit free. Free passage in chosen direction by manual override key in fail secure option is available.
Weight	~375 kg
Optional Features and Accessories	Motor driven unit, wireless remote control (receiver-transmitter), manual control, manual override key (with fail secure option), counter (with/without reset), card reader mounting bracket, passage completion sensor, contactless passage sensor (for motorized models), heater positive, bottom plate (standard or for forklift handling), battery back-up, RS232-RS485-TCP/IP modules, limiter, different color choices.



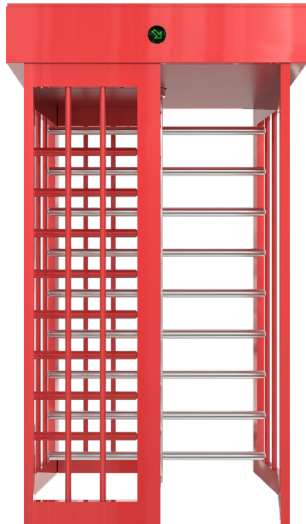
TRINMILLER
TUNNELGÅRD
B3
D1-D4
D1-D12
VIP

VIP

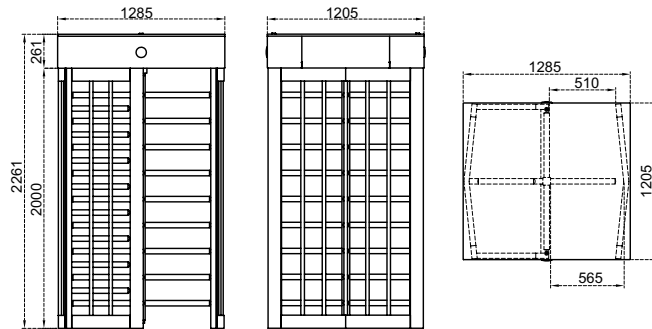




BT 402



Dimensions (mm)



Technical Features

Place of Use Indoors, outdoors

Operating Temperature, Humidity -20°C/+68°C (opt. -50°C with heater positive), RH 95% non-condensing.

Operating Intensity 100%, 7/24 use.


Built on main carriers and supported with pipe beams on sides, consisting of waterproof and protected top lid, mechanical compartment side panels and completely closed ceiling. Can be completely disassembled.

Four-section rotor (90°), each having 9 (10 in optional 2120 mm clear passage height) one by one demountable arms. Optionally complies with UK H&S regulation of ≤98 mm gap between upright profiles.

Combination options with different material choices:

Body / Arm Features	BT 402	BT 402-25	BT 402-100
Body	Electrostatic powder coating on hot-dip galvanized steel	Electrostatic powder coating on hot-dip galvanized steel	304 grade (opt. 316 grade) stainless steel
Arms	Electrostatic powder coating on hot-dip galvanized steel, Ø42x2,5 mm.	304 grade (opt. 316 grade)* stainless steel, Ø40x2,0 mm.	304 grade (opt. 316 grade)* stainless steel, Ø40x2,0 mm.

(*) Finishing : Satine brushed (opt. electrostatic powder coating on stainless steel).

Indicators / Illumination **Status - Direction Indicators** :  LED, standard/LED passageway illumination standard.

Power **Operating Voltage** : 110/220V AC 50/60 Hz. (±10%), 24V DC.
Consumption : ~8,1W at stand-by, during passage ~7,6W (varies according to the options and accessories used).

System operates bi-directionally (entry-exit).
Operating modes can be adjusted through the buttons and screen on the control card.
Operating Modes
Entry - exit controlled Entry controlled, exit free Entry free, exit controlled
Single input both directions use Entry - exit free

Operating System Electromechanical manual operation (opt. electromechanical motorized operation).

Control System
All functions, parameters and operating modes can be adjusted through the buttons and screen on the control card.
All inputs are opto-coupler protected.
Controllable by dry contact (ground control).
Compatible with all kinds of access control device.
Optional RS232, RS485 or TCP/IP module is available.

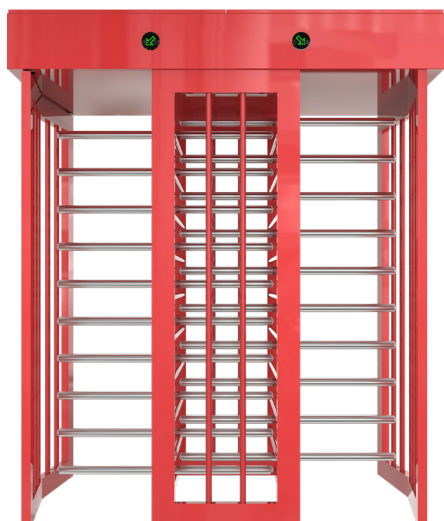
Flow Rate **Passage capacity (manual)** : max. 48 cycle/min. **Nominal** : ~25 pass/min.
Passage capacity (motorized) : max. 40 cycle/min. **Nominal** : ~20 pass/min.
(nominal passage rate can change depending on the access control system utilized)

Emergency Mode System allows free passage (entry-exit) in both directions (fail safe). Works compatible with fire warning and similar systems. At the end of an emergency situation, system returns to its normal operating mode.

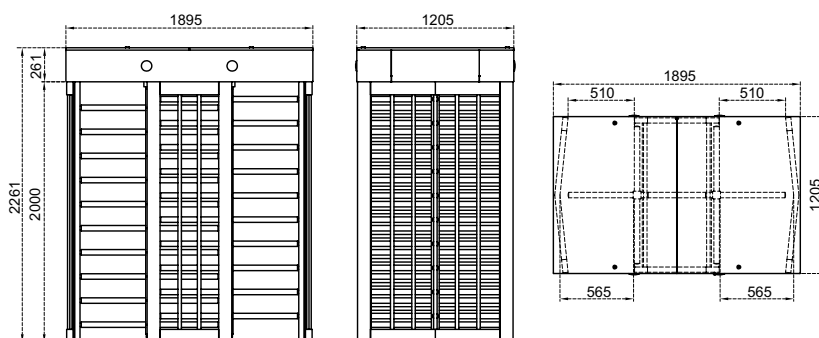
Power-off Situation System allows free passage (entry-exit) in both directions (fail safe). Optionally, can be set (fail secure) as; entry-exit locked, entry free-exit locked, or entry locked-exit free. Free passage in chosen direction by manual override key in fail secure option is available.

Weight ~235 kg

Optional Features and Accessories
Motor driven unit, wireless remote control (receiver-transmitter), manual control, manual override key (with fail secure option), counter (with/without reset), card reader mounting bracket, passage completion sensor, contactless passage sensor (for motorized models), heater positive, canopy, bottom plate (standard or for forklift handling), battery back-up, 316 grade stainless steel, RS232-RS485-TCP/IP modules, limiter, 2120 mm clear passage height, mechanics compartment accessibility from the ceiling, trombone arms, different color choices, comp-liance with UK H&S regulation of ≤98 mm gap between upright profiles.



Dimensions (mm)



Technical Features

Place of Use Indoors, outdoors

Operating Temperature, Humidity -20°C/+68°C (opt. -50°C with heater positive), RH 95% non-condensing.

Operating Intensity 100%, 7/24 use.

Built on main carriers and supported with pipe beams on sides, consisting of waterproof and protected top lid, mechanical compartment side panels and completely closed ceiling. Can be completely disassembled.
A pair of four-section rotors (90°), each having 10+10 (11+11 in optional 2120 mm clear passage height) one by one demountable arms.
Optionally complies with UK H&S regulation of ≤98 mm gap between upright profiles.

Body / Arm Features

Combination options with different material choices:

	BT 402 D	BT 402 D-25	BT 402 D-100
Body	Electrostatic powder coating on hot-dip galvanized steel	Electrostatic powder coating on hot-dip galvanized steel	304 grade (opt. 316 grade) stainless steel
Arms	Electrostatic powder coating on hot-dip galvanized steel, Ø42x2,5 mm.	304 grade (opt. 316 grade)* stainless steel, Ø40x2,0 mm.	304 grade (opt. 316 grade)* stainless steel, Ø40x2,0 mm.

(*) Finishing : Satine brushed (opt. electrostatic powder coating on stainless steel).

Indicators / Illumination **Status - Direction Indicators** : LED, standard/LED passageway illumination standard.

Power **Operating Voltage** : 110/220V AC 50/60 Hz. (±10%), 24V DC.
Consumption : ~16,2W at stand-by, during passage ~7,6+7,6W (varies according to the options and accessories used).

Operating Modes System operates bi-directionally (entry-exit).
Operating modes can be adjusted through the buttons and screen on the control card.
Entry - exit controlled Entry controlled, exit free Entry free, exit controlled
Single input both directions use Entry - exit free

Operating System Electromechanical manual operation (opt. electromechanical motorized operation).

Control System All functions, parameters and operating modes can be adjusted through the buttons and screen on the control card.
All inputs are opto-coupler protected.
Controllable by dry contact (ground control).
Compatible with all kinds of access control device.
Optional RS232, RS485 or TCP/IP module is available.

Flow Rate **Passage capacity (manual)** : max. 96 cycle/min. **Nominal** : ~50 pass/min.
Passage capacity (motorized) : max. 80 cycle/min. **Nominal** : ~40 pass/min.
(nominal passage rate can change depending on the access control system utilized)

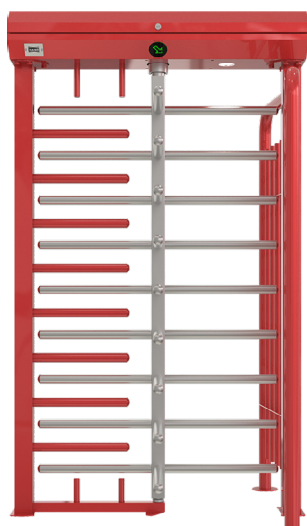
Emergency Mode System allows free passage (entry-exit) in both directions (fail safe). Works compatible with fire warning and similar systems. At the end of an emergency situation, system returns to its normal operating mode.

Power-off Situation System allows free passage (entry-exit) in both directions (fail safe). Optionally, can be set (fail secure) as; entry-exit locked, entry free-exit locked, or entry locked-exit free. Free passage in chosen direction ~by manual override key in fail secure option is available.

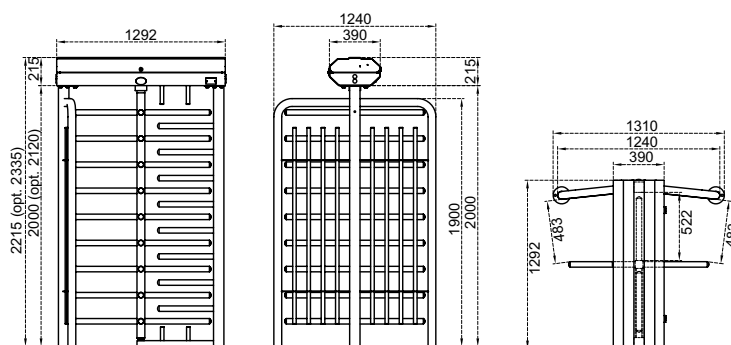
Weight ~460 kg

Optional Features and Accessories Motor driven unit, wireless remote control (receiver-transmitter), manual control, manual override key (with fail secure option), counter (with/without reset), card reader mounting bracket, passage completion sensor, contactless passage sensor (for motorized models), heater positive, canopy, bottom plate (standard or for forklift handling), battery back-up, 316 grade stainless steel, RS232-RS485-TCP/IP modules, limiter, 2120 mm clear passage height, mechanics compartment accessibility from the ceiling, different color choices, compliance with UK H&S regulation of ≤98 mm gap between upright profiles.

BTX 400 N1



Dimensions (mm)



Technical Features

Place of Use Indoors, outdoors

Operating Temperature, Humidity -20°C/+68°C (opt. -50°C with heater positive), RH 95% non-condensing.

Operating Intensity 100%, 7/24 use.

Built on main carriers and supported with pipe beams on sides, consisting of waterproof and protected top lid with damper for safety. Can be completely disassembled.


Four-section rotor (90°), each having 9 (10 in optional 2120 mm clear passage height) one by one demountable arms. Complies with UK H&S regulation of ≤98 mm gap between upright profiles.

Combination options with different material choices:

Body / Arm Features

	BTX 400 N1	BTX 400 N1-25	BTX 400 N1-100
Body	Electrostatic powder coating on hot-dip galvanized steel	Electrostatic powder coating on hot-dip galvanized steel	304 grade (opt. 316 grade) stainless steel
Arms	Electrostatic powder coating on hot-dip galvanized steel, Ø42x2,5 mm.	304 grade (opt. 316 grade)* stainless steel, Ø40x2,0 mm.	304 grade (opt. 316 grade)* stainless steel, Ø40x2,0 mm.

(*) Finishing : Satine brushed (opt. electrostatic powder coating on stainless steel).

Indicators / Illumination **Status - Direction Indicators** :   LED, standard/LED passageway illumination standard.

Power **Operating Voltage** : 110/220V AC 50/60 Hz. (±10%), 24V DC.

Consumption : ~8,1W at stand-by, during passage ~7,6W (varies according to the options and accessories used).

Operating Modes

System operates bi-directionally (entry-exit).

Operating modes can be adjusted through the buttons and screen on the control card.

Entry - exit controlled Entry controlled, exit free Entry free, exit controlled
Single input both directions use Entry - exit free

Operating System

Electromechanical manual operation (opt. electromechanical motorized operation).

Control System

All functions, parameters and operating modes can be adjusted through the buttons and screen on the control card.

All inputs are opto-coupler protected.

Controllable by dry contact (ground control).

Compatible with all kinds of access control device.

Optional RS232, RS485 or TCP/IP module is available.

Flow Rate

Passage capacity (manual) : max. 48 cycle/min. **Nominal** : ~25 pass/min.

Passage capacity (motorized) : max. 40 cycle/min. **Nominal** : ~20 pass/min.

(nominal passage rate can change depending on the access control system utilized)

Emergency Mode

System allows free passage (entry-exit) in both directions (fail safe). Works compatible with fire warning and similar systems. At the end of an emergency situation, system returns to its normal operating mode.

Power-off Situation

System allows free passage (entry-exit) in both directions (fail safe). Optionally, can be set (fail secure) as; entry-exit locked, entry free-exit locked, or entry locked-exit free. Free passage in chosen direction by manual override key in fail secure option is available.

Weight

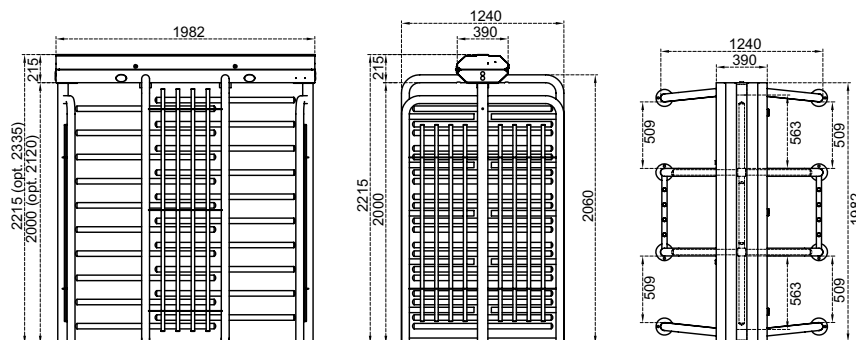
~175 kg

Optional Features and Accessories

Motor driven unit, wireless remote control (receiver-transmitter), manual control, manual override key (with fail secure option), counter (with/without reset), card reader mounting bracket, passage completion sensor, contactless passage sensor (for motorized models), heater positive, canopy, bottom plate (standard or for forklift handling), battery back-up, 316 grade stainless steel, RS232-RS485-TCP/IP modules, limiter, 2120 mm clear passage height, mechanics compartment accessibility from the ceiling, trombone arms, different color choices.



Dimensions (mm)



Technical Features

Place of Use	Indoors, outdoors
Operating Temperature, Humidity	-20°C/+68°C (opt. -50°C with heater positive), RH 95% non-condensing.
Operating Intensity	100%, 7/24 use.

Built on main carriers and supported with pipe beams on sides, consisting of waterproof and protected top lid with damper for safety. Can be completely disassembled.

A pair of four-section rotors (90°), each having 10+10 (11+11 in optional 2120 mm clear passage height) one by one demountable arms.



Complies with UK H&S regulation of ≤98 mm gap between upright profiles.

Body / Arm Features

Combination options with different material choices:

	BTX 400 N1 D	BTX 400 N1 D-25	BTX 400 N1 D-100
Body	Electrostatic powder coating on hot-dip galvanized steel	Electrostatic powder coating on hot-dip galvanized steel	304 grade (opt. 316 grade) stainless steel
Arms	Electrostatic powder coating on hot-dip galvanized steel, Ø42x2,5 mm.	304 grade (opt. 316 grade)* stainless steel, Ø40x2,0 mm.	304 grade (opt. 316 grade)* stainless steel, Ø40x2,0 mm.

(*) Finishing : Satine brushed (opt. electrostatic powder coating on stainless steel).

Indicators / Illumination	Status - Direction Indicators :   LED, standard/LED passageway illumination standard.
Power	Operating Voltage : 110/220V AC 50/60 Hz. (±10%), 24V DC. Consumption : ~16,2W at stand-by, during passage ~7,6+7,6W (varies according to the options and accessories used).
Operating Modes	System operates bi-directionally (entry-exit). Operating modes can be adjusted through the buttons and screen on the control card. Entry - exit controlled Entry controlled, exit free Entry free, exit controlled Single input both directions use Entry - exit free
Operating System	Electromechanical manual operation (opt. electromechanical motorized operation).
Control System	All functions, parameters and operating modes can be adjusted through the buttons and screen on the control card. All inputs are opto-coupler protected. Controllable by dry contact (ground control). Compatible with all kinds of access control device. Optional RS232, RS485 or TCP/IP module is available.
Flow Rate	Passage capacity (manual) : max. 96 cycle/min. Nominal : ~50 pass/min. Passage capacity (motorized) : max. 80 cycle/min. Nominal : ~40 pass/min. (nominal passage rate can change depending on the access control system utilized)
Emergency Mode	System allows free passage (entry-exit) in both directions (fail safe). Works compatible with fire warning and similar systems. At the end of an emergency situation, system returns to its normal operating mode.
Power-off Situation	System allows free passage (entry-exit) in both directions (fail safe). Optionally, can be set (fail secure) as; entry-exit locked, entry free-exit locked, or entry locked-exit free. Free passage in chosen direction by manual override key in fail secure option is available.
Weight	~420 kg
Optional Features and Accessories	Motor driven unit, wireless remote control (receiver-transmitter), manual control, manual override key (with fail secure option), counter (with/without reset), card reader mounting bracket, passage completion sensor, contactless passage sensor (for motorized models), heater positive, canopy, bottom plate (standard or for forklift handling), battery back-up, 316 grade stainless steel, RS232-RS485-TCP/IP modules, limiter, 2120 mm clear passage height, mechanics compartment accessibility from the ceiling, different color choices.



ULDUZLAR ARENASI SİZİ SALAMLAYIR!

RANCE

RİŞ

PUBLIC ENT

ÜMUMİ C



ULDUZLAR ARENASI SIZI SALAMLAYIR!

ULDUZLAR ARENASI SIZI SALAMLAYIR!

ULDUZLAR ARENASI SIZI SALAMLAYIR!

RANCE

İRİŞ

UBLIC ENTRANCE

KAMU GİRİŞİ

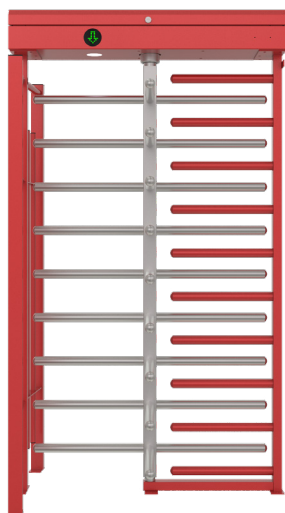
UBLIC ENTRANCE

KAMU GİRİŞİ

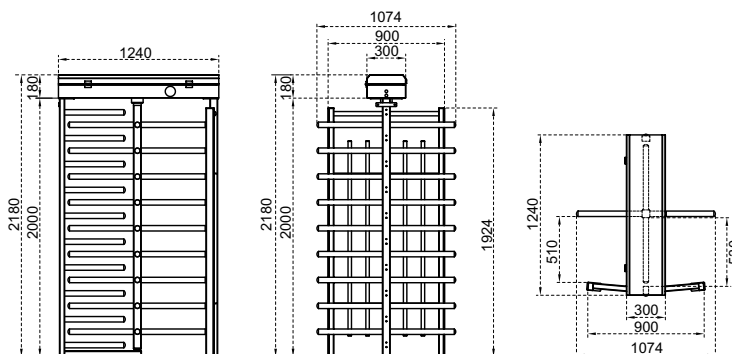
UBLIC ENTRANCE

KAMU GİRİŞİ

BTC 400



Dimensions (mm)



Technical Features

Place of Use Indoors, outdoors

Operating Temperature, Humidity -20°C/+68°C (opt. -50°C with heater positive), RH 95% non-condensing.

Operating Intensity 100%, 7/24 use.

Built on main carriers and supported with pipe beams on sides, consisting of waterproof and protected top lid with damper for safety. Can be completely disassembled.

Four-section rotor (90°), each having 9 (10 in optional 2120 mm clear passage height) one by one demountable arms. Optionally complies with UK H&S regulation of ≤98 mm gap between upright profiles.

Combination options with different material choices:

Body / Arm Features

	BTC 400	BTC 400-25	BTC 400-100
Body	Electrostatic powder coating on hot-dip galvanized steel	Electrostatic powder coating on hot-dip galvanized steel	304 grade (opt. 316 grade) stainless steel
Arms	Electrostatic powder coating on hot-dip galvanized steel, Ø42x2,5 mm.	304 grade (opt. 316 grade)* stainless steel, Ø40x2,0 mm.	304 grade (opt. 316 grade)* stainless steel, Ø40x2,0 mm.

(* Finishing : Satine brushed (opt. electrostatic powder coating on stainless steel).

Indicators / Illumination **Status - Direction Indicators** :   LED, standard/LED passageway illumination standard.

Power **Operating Voltage** : 110/220V AC 50/60 Hz. (±10%), 24V DC.
Consumption : ~8,1W at stand-by, during passage ~7,6W (varies according to the options and accessories used).

System operates bi-directionally (entry-exit).

Operating Modes Operating modes can be adjusted through the buttons and screen on the control card.

Entry - exit controlled Entry controlled, exit free Entry free, exit controlled
Single input both directions use Entry - exit free

Operating System Electromechanical manual operation (opt. electromechanical motorized operation).

Control System All functions, parameters and operating modes can be adjusted through the buttons and screen on the control card.
All inputs are opto-coupler protected.
Controllable by dry contact (ground control).
Compatible with all kinds of access control device.
Optional RS232, RS485 or TCP/IP module is available.

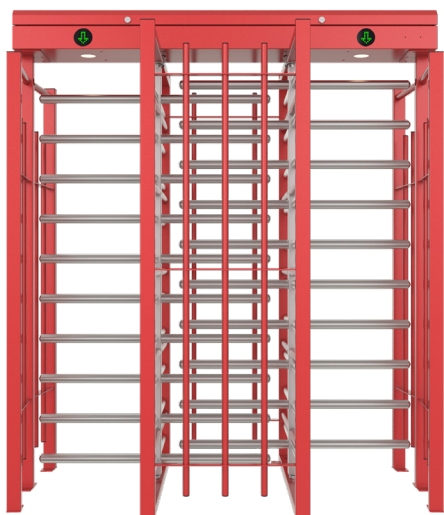
Flow Rate **Passage capacity (manual)** : max. 48 cycle/min. **Nominal** : ~25 pass/min.
Passage capacity (motorized) : max. 40 cycle/min. **Nominal** : ~20 pass/min.
(nominal passage rate can change depending on the access control system utilized)

Emergency Mode System allows free passage (entry-exit) in both directions (fail safe). Works compatible with fire warning and similar systems. At the end of an emergency situation, system returns to its normal operating mode.

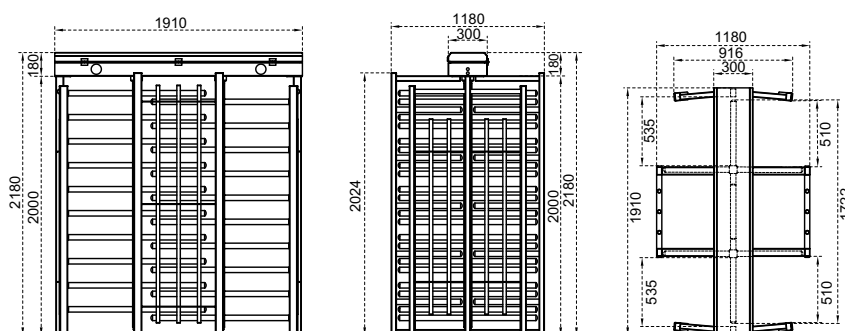
Power-off Situation System allows free passage (entry-exit) in both directions (fail safe). Optionally, can be set (fail secure) as; entry-exit locked, entry free-exit locked, or entry locked-exit free. Free passage in chosen direction by manual override key in fail secure option is available.

Weight ~145 kg

Optional Features and Accessories Motor driven unit, wireless remote control (receiver-transmitter), manual control, manual override key (with fail secure option), counter (with/without reset), card reader mounting bracket, passage completion sensor, contactless passage sensor (for motorized models), heater positive, canopy, bottom plate (standard or for forklift handling), battery back-up, 316 grade stainless steel, RS232-RS485-TCP/IP modules, limiter, 2120 mm clear passage height, trombone arms, different color choices, compliance with UK H&S regulation (≤98 mm gap between up-right profiles).



Dimensions (mm)



Technical Features

Place of Use	Indoors, outdoors
Operating Temperature, Humidity	-20°C/+68°C (opt. -50°C with heater positive), RH 95% non-condensing.
Operating Intensity	100%, 7/24 use.

Built on main carriers and supported with pipe beams on sides, consisting of waterproof and protected top lid with damper for safety. Can be completely disassembled.

A pair of four-section rotors (90°), each having 10+10 (11+11 in optional 2120 mm clear passage height) one by one demountable arms.



Optionally complies with UK H&S regulation of ≤98 mm gap between upright profiles.

Body / Arm Features

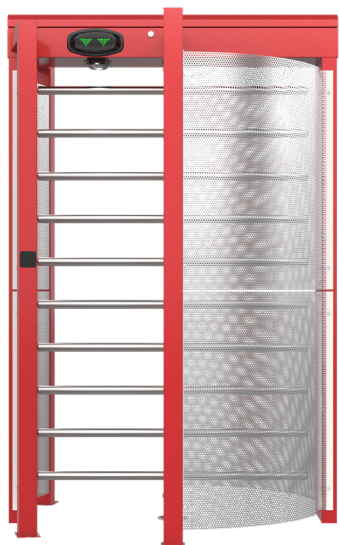
Combination options with different material choices:

	BTC 400 D	BTC 400 D-25	BTC 400 D-100
Body	Electrostatic powder coating on hot-dip galvanized steel	Electrostatic powder coating on hot-dip galvanized steel	304 grade (opt. 316 grade) stainless steel
Arms	Electrostatic powder coating on hot-dip galvanized steel, Ø42x2,5 mm.	304 grade (opt. 316 grade)* stainless steel, Ø40x2,0 mm.	304 grade (opt. 316 grade)* stainless steel, Ø40x2,0 mm.

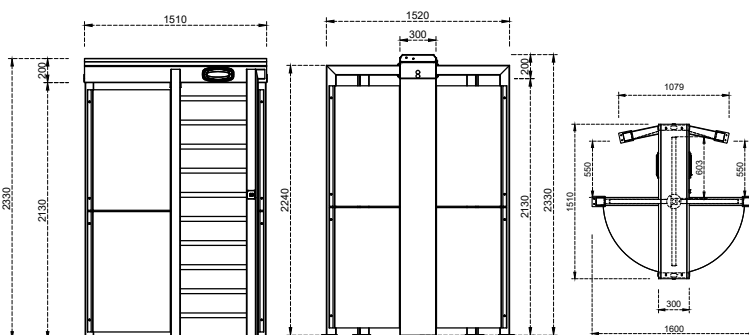
(*) Finishing : Satine brushed (opt. electrostatic powder coating on stainless steel).

Indicators / Illumination	Status - Direction Indicators :   LED, standard/LED passageway illumination standard.
Power	Operating Voltage : 110/220V AC 50/60 Hz. (±10%), 24V DC. Consumption : ~16,2W at stand-by, during passage ~7,6+7,6W (varies according to the options and accessories used).
Operating Modes	System operates bi-directionally (entry-exit). Operating modes can be adjusted through the buttons and screen on the control card. Entry - exit controlled Entry controlled, exit free Entry free, exit controlled Single input both directions use Entry - exit free
Operating System	Electromechanical manual operation (opt. electromechanical motorized operation).
Control System	All functions, parameters and operating modes can be adjusted through the buttons and screen on the control card. All inputs are opto-coupler protected. Controllable by dry contact (ground control). Compatible with all kinds of access control device. Optional RS232, RS485 or TCP/IP module is available.
Flow Rate	Passage capacity (manual) : max. 96 cycle/min. Nominal : ~50 pass/min. Passage capacity (motorized) : max. 80 cycle/min. Nominal : ~40 pass/min. (nominal passage rate can change depending on the access control system utilized)
Emergency Mode	System allows free passage (entry-exit) in both directions (fail safe). Works compatible with fire warning and similar systems. At the end of an emergency situation, system returns to its normal operating mode.
Power-off Situation	System allows free passage (entry-exit) in both directions (fail safe). Optionally, can be set (fail secure) as; entry-exit locked, entry free-exit locked, or entry locked-exit free. Free passage in chosen direction by manual override key in fail secure option is available.
Weight	~345 kg
Optional Features and Accessories	Motor driven unit, wireless remote control (receiver-transmitter), manual control, manual override key (with fail secure option), counter (with/without reset), card reader mounting bracket, passage completion sensor, contactless passage sensor (for motorized models), heater positive, canopy, bottom plate (standard or for forklift handling), battery back-up, 316 grade stainless steel, RS232-RS485-TCP/IP modules, limiter, 2120 mm clear passage height, different color choices, compliance with UK H&S regulation of ≤98 mm gap between upright profiles.

BTG 400



Dimensions (mm)




Place of Use	Indoors, outdoors
Operating Temperature, Humidity	-20°C/+68°C (opt. -50°C with heater positive), RH 95% non-condensing.
Operating Intensity	100%, 7/24 use.

Built on main carriers and supported with profiles on sides and perforated sheet separators, consisting of waterproof and protected top lid with damper for safety. Can be completely disassembled.
Four-section rotor (90°), each having 10 one by one demountable arms.

Combination options with different material choices:

Body / Arm Features	BTG 400	BTG 400 - 25	BTG 400 - 100
Body	Electrostatic powder coating on hot-dip galvanized steel	Electrostatic powder coating on hot-dip galvanized steel	304 grade stainless steel
Arms	Electrostatic powder coating on hot-dip galvanized steel, Ø42x2,5 mm.	304 grade stainless steel, Ø40x2,0 mm.	304 grade stainless steel, Ø40x2,0 mm.
Perforated Sheet Separators	304 grade stainless steel	304 grade stainless steel	304 grade stainless steel

Indicators / Illumination	Status - Direction Indicators :  LED, standard/LED passageway illumination standard.
----------------------------------	--------------------------------------------------------------------------------------------------------------------------------------------------------------------------------

Power	Operating Voltage : 110/220V AC 50/60 Hz. (±10%), 24V DC. Consumption : ~8,1W at stand-by, during passage ~7,6W (varies according to the options and accessories used).
--------------	------------------------------------------------------------------------------------------------------------------------------------------------------------------------------------------

Operating Modes	System operates bi-directionally (entry-exit). Operating modes can be adjusted through the buttons and screen on the control card. Entry - exit controlled Entry controlled, exit free Entry free, exit controlled Single input both directions use Entry - exit free
------------------------	-----------------------------------------------------------------------------------------------------------------------------------------------------------------------------------------------------------------------------------------------------------------------------------------------------------------------------------------------

Operating System	Electromechanical manual operation (opt. electromechanical motorized operation).
-------------------------	----------------------------------------------------------------------------------

Control System	All functions, parameters and operating modes can be adjusted through the buttons and screen on the control card. All inputs are opto-coupler protected. Controllable by dry contact (ground control). Compatible with all kinds of access control device. Optional RS232, RS485 or TCP/IP module is available.
-----------------------	-----------------------------------------------------------------------------------------------------------------------------------------------------------------------------------------------------------------------------------------------------------------------------------------------------------------------------

Flow Rate	Passage capacity (manual) : max. 48 cycle/min. Nominal : ~25 pass/min. Passage capacity (motorized) : max. 40 cycle/min. Nominal : ~20 pass/min. (nominal passage rate can change depending on the access control system utilized)
------------------	----------------------------------------------------------------------------------------------------------------------------------------------------------------------------------------------------------------------------------------------------------------------

Emergency Mode	System allows free passage (entry-exit) in both directions (fail safe). Works compatible with fire warning and similar systems. At the end of an emergency situation, system returns to its normal operating mode.
-----------------------	--------------------------------------------------------------------------------------------------------------------------------------------------------------------------------------------------------------------

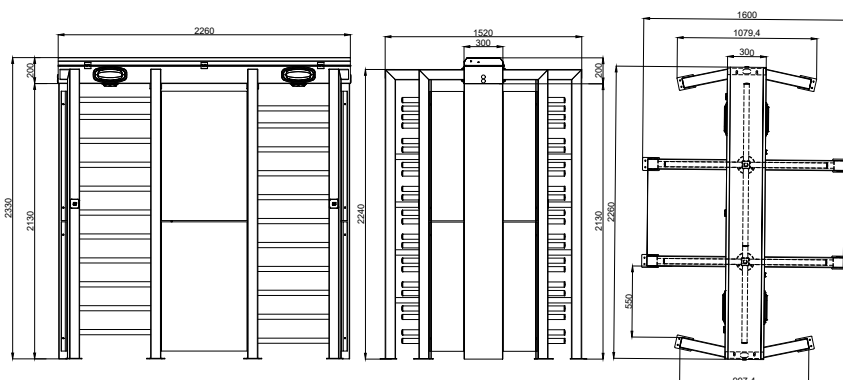
Power-off Situation	System allows free passage (entry-exit) in both directions (fail safe). Optionally, can be set (fail secure) as: entry-exit locked, entry free-exit locked, or entry locked-exit free. Free passage in chosen direction by manual override key in fail secure option is available.
----------------------------	------------------------------------------------------------------------------------------------------------------------------------------------------------------------------------------------------------------------------------------------------------------------------------

Weight	~300 kg
---------------	---------

Optional Features and Accessories	Motor driven unit, wireless remote control (receiver-transmitter), manual control, manual override key (with fail secure option), counter (with/without reset), card reader mounting bracket, passage completion sensor, contactless passage sensor (for motorized models), heater positive, bottom plate (standard or for forklift handling), battery back-up, RS232-RS485-TCP/IP modules, limiter, different color choices.
------------------------------------------	-------------------------------------------------------------------------------------------------------------------------------------------------------------------------------------------------------------------------------------------------------------------------------------------------------------------------------------------------------------------------------------------------------------------------------



Dimensions (mm)




Place of Use	Indoors, outdoors
Operating Temperature, Humidity	-20°C/+68°C (opt. -50°C with heater positive), RH 95% non-condensing.
Operating Intensity	100%, 7/24 use.

Built on main carriers and supported with profiles on sides and perforated sheet separators, consisting of waterproof and protected top lid with damper for safety. Can be completely disassembled.
A pair of four-section rotors (90°), each having 11+11 one by one demountable arms.

Combination options with different material choices:

Body / Arm Features	BTG 400 D	BTG 400 D - 25	BTG 400 D -100
Body	Electrostatic powder coating on hot-dip galvanized steel	Electrostatic powder coating on hot-dip galvanized steel	304 grade stainless steel
Arms	Electrostatic powder coating on hot-dip galvanized steel, Ø42x2,5 mm.	304 grade stainless steel, Ø40x2,0 mm.	304 grade stainless steel, Ø40x2,0 mm.
Perforated Sheet Separators	304 grade stainless steel	304 grade stainless steel	304 grade stainless steel

Indicators / Illumination **Status - Direction Indicators** :  LED, standard/LED passageway illumination standard.

Power **Operating Voltage** : 110/220V AC 50/60 Hz. (±10%), 24V DC.
Consumption : ~16,2W at stand-by, during passage ~7,6+7,6W (varies according to the options and accessories used).

Operating Modes System operates bi-directionally (entry-exit).
Operating modes can be adjusted through the buttons and screen on the control card.
Entry - exit controlled Entry controlled, exit free Entry free, exit controlled
Single input both directions use Entry - exit free

Operating System Electromechanical manual operation (opt. electromechanical motorized operation).

Control System All functions, parameters and operating modes can be adjusted through the buttons and screen on the control card.
All inputs are opto-coupler protected.
Controllable by dry contact (ground control).
Compatible with all kinds of access control device.
Optional RS232, RS485 or TCP/IP module is available.

Flow Rate **Passage capacity (manual)** : max. 96 cycle/min. **Nominal** : ~50 pass/min.
Passage capacity (motorized) : max. 80 cycle/min. **Nominal** : ~40 pass/min.
(nominal passage rate can change depending on the access control system utilized)

Emergency Mode System allows free passage (entry-exit) in both directions (fail safe). Works compatible with fire warning and similar systems. At the end of an emergency situation, system returns to its normal operating mode.

Power-off Situation System allows free passage (entry-exit) in both directions (fail safe). Optionally, can be set (fail secure) as; entry-exit locked, entry free-exit locked, or entry locked-exit free. Free passage in chosen direction by manual override key in fail secure option is available.

Weight ~425 kg

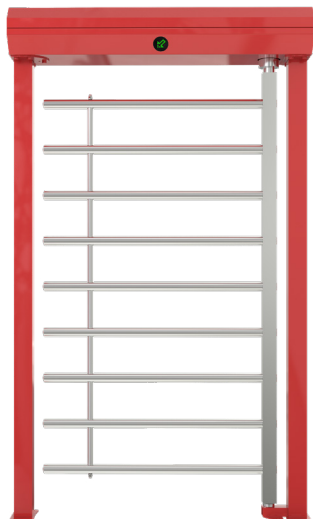
Optional Features and Accessories Motor driven unit, wireless remote control (receiver-transmitter), manual control, manual override key (with fail secure option), counter (with/without reset), card reader mounting bracket, passage completion sensor, contactless passage sensor (for motorized models), heater positive, bottom plate (standard or for forklift handling), battery back-up, RS232-RS485-TCP/IP modules, limiter, different color choices.



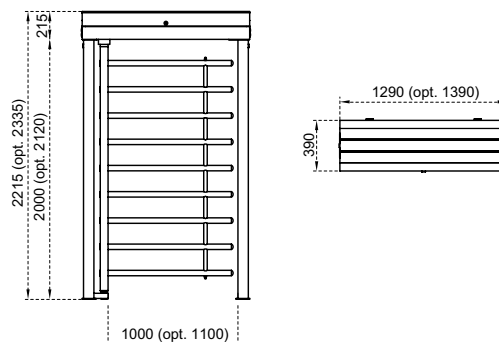
EXIT GATES

104	BT 100 (MOTORIZED)
105	PEGA 100 (MANUAL)

BT 100 (MOTORIZED)



Dimensions (mm)



Technical Features

Place of Use Indoors, outdoors

Operating Temperature, Humidity -20°C/+68°C (opt. -50°C with heater positive), RH 95% non-condensing.

Operating Intensity 100%, 7/24 use.

Built on box beam main carriers and consisting of waterproof and protected top lid with damper for safety. Can be completely disassembled.

Single-section rotor having 9 (10 in optional 2120 mm clear passage height) one by one demountable arms.

Combination options with different material choices:

Body / Arm Features

	BT 100	BT 100-25	BT 100-100
Body	Electrostatic powder coating on hot-dip galvanized steel	Electrostatic powder coating on hot-dip galvanized steel	304 grade (opt. 316 grade) stainless steel
Arms	Electrostatic powder coating on hot-dip galvanized steel, Ø42x2,5 mm.	304 grade (opt. 316 grade)* stainless steel, Ø40x2,0 mm.	304 grade (opt. 316 grade)* stainless steel, Ø40x2,0 mm.

(*) Finishing : Satine brushed (opt. electrostatic powder coating on stainless steel).

Indicators / Illumination **Status - Direction Indicators** : LED, standard/LED passageway illumination standard.

Power **Operating Voltage** : 110/220V AC 50/60 Hz. (%±10), 24V DC.
Consumption : ~8W at stand-by, max ~44W (varies according to the options and accessories used).

Operating Modes System operates bi-directionally (entry-exit).
Operating modes can be adjusted through the buttons and screen on the control card.
Entry - exit controlled Entry - exit free (with optional photocell support) Entry controlled, exit free (with optional photocell support)
Entry free, exit controlled (with optional photocell support)

Operating System Electromechanical motorized operation.

Control System All functions, parameters and operating modes can be adjusted through the buttons and screen on the control card.
All inputs are opto-coupler protected.
Controllable by dry contact (ground control).
Compatible with all kinds of access control device.
Optional RS232, RS485 or TCP/IP module is available.

Flow Rate Wing opening/closing time : ~1,5 sec.

Emergency Mode System provides a free passageway (entry-exit) by opening the wing in preferred direction configured by dip switch (fail safe). Works compatible with fire warning and similar systems. At the end of an emergency situation, system returns to its normal operating mode.

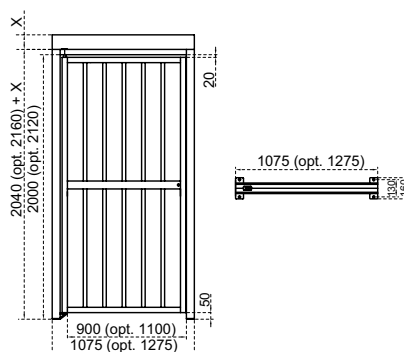
Power-off Situation System provides a free passageway (entry-exit) by manually pushing the wing towards entry or exit directions (fail safe). Optionally, can be set as entry-exit locked (fail secure). Free passageway can be granted by manual override key in fail secure option.

Weight ~105 kg

Optional Features and Accessories Wireless remote control (receiver-transmitter), manual control, manual override key (with fail secure option), counter (with/without reset), card reader mounting bracket, heater positive, canopy, bottom plate (standard or for forklift handling), battery back-up, 316 grade stainless steel, RS232-RS485-TCP/IP modules, limiter, 2120 mm clear passage height, 900-1100 mm clear passage width, trombone arms, photocell for free mode, different color choices.



Dimensions (mm)



Technical Features

Place of Use Indoors, outdoors

Operating Intensity 100%, 7/24 use.

Built on box beam main carriers and consisting of complementary top panels. 90° opening wing frame consists of box beams and pipes.

Combination options with different material choices:

	PEGA 100	PEGA 100-25	PEGA 100-100
Body / Wing Features			
Body	Electrostatic powder coating on hot-dip galvanized steel	Electrostatic powder coating on hot-dip galvanized steel	304 grade (opt. 316 grade) stainless steel
Wing	Electrostatic powder coating on hot-dip galvanized steel	304 grade (opt. 316 grade)* stainless steel	304 grade (opt. 316 grade)* stainless steel.

(*) Finishing : Satine brushed (opt. electrostatic powder coating on stainless steel).

Power **Operating Voltage** : None for standard model (24V DC for optional electromagnetic lock).

Operating Modes System operates uni-directionally (clockwise or anti-clockwise). Wing opens and closes 90° by pushing.

Operating System Mechanical manual operation with standard manual lock.

Emergency Mode System provides a free passageway (entry-exit) by opening the lock manually and pushing the wing. Wing becomes free for a passageway (entry-exit) with optional electromagnetic lock and works compatible with fire warning and similar systems. At the end of an emergency situation, system returns to its normal operating mode (in case there is a hydraulic door closer).

Power-off Situation Electromagnetic lock (if any) becomes disabled, and the wing is pushed manually to create a free passageway.

Weight ~60 kg

Optional Features and Accessories Wireless remote control (receiver-transmitter, with electromagnetic lock option), manual control (with electromagnetic lock option), electromagnetic lock, 316 grade stainless steel, 2120 mm clear passage height, 900-1100 mm clear passage width, LED status indicator (with electromagnetic lock option), hydraulic door closer, different color choices.



الأحوال المدنية

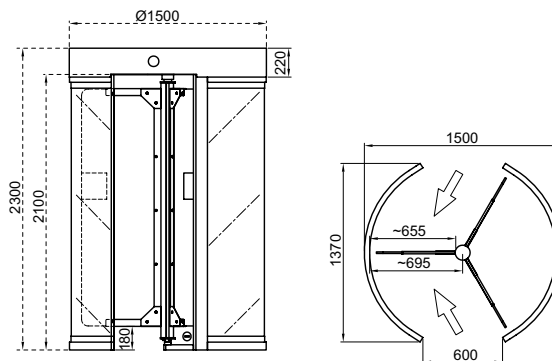
GLASS FULL HEIGHT SERIES

108 BT 302 GL
109 BT 402 GL

BT 302 GL



Dimensions (mm)



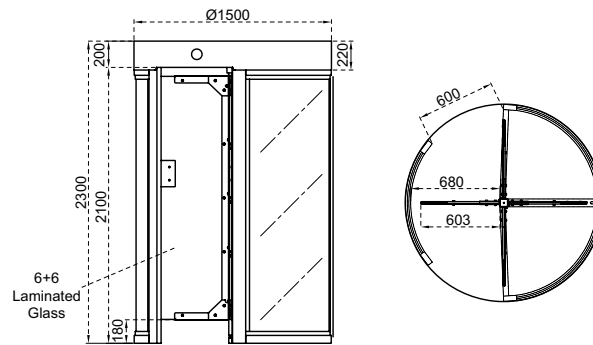
Technical Features

Place of Use	Indoors (opt. outdoors)	
Operating Temperature, Humidity	-20°C/+68°C (opt. -50°C with heater positive), RH 95% non-condensing.	
Operating Intensity	100%, 7/24 use.	
Body / Wing Features	Built on stainless steel main carrier beams, supported with box beams on sides, contains rounded glass walls, protecting top lid, mechanical compartment side panels and completely closed ceiling. The mechanics compartment is accessible from the ceiling. Contains three-wings rotor (120°).	
	Body	304 grade (opt. 316 grade)* stainless steel body and 4+4 mm laminated glass walls.
	Wings	12 mm tempered glass mounted on 304 grade (opt. 316 grade)* stainless steel rotor.
	(*) Finishing : Orbital brushed matt.	
Indicators / Illumination	Status - Direction Indicators :	LED, standard/LED passageway illumination standard.
Power	Operating Voltage	: 110/220V AC 50/60 Hz. (%±10), 24V DC.
	Consumption	: ~14W at stand-by, max ~50W (varies according to the options and accessories used).
Operating Modes	System operates bi-directionally (entry-exit). Operation modes can be changed through dip switch, IOS and/or android app. Entry - exit controlled Entry controlled, exit free Entry free, exit controlled Single input both directions use Entry - exit free	
Operating System	Electromechanical manual operation (opt. electromechanical motorized operation).	
Control System	All functions, parameters and operating modes can be changed through the control board (microprocessor controlled), IOS and/or android app. Firmware can be updated. All past function updates and changes are kept in the server and records can be traced. All inputs are opto-coupler protected. Controllable by dry contact (ground control). Compatible with all kinds of access control device. Optional RS232, RS485 or TCP/IP module is available.	
Flow Rate	Passage capacity (manual)	: max. 30 cycle/min. Nominal : ~20 pass/min.
	Passage capacity (motorized)	: max. 20 cycle/min. Nominal : ~15 pass/min. (nominal passage rate can change depending on the access control system utilized)
Emergency Mode	System allows free passage (entry-exit) in both directions (fail safe). Works compatible with fire warning and similar systems. At the end of an emergency situation, system returns to its normal operating mode.	
Power-off Situation	System allows free passage (entry-exit) in both directions (fail safe). Optionally, can be set (fail secure) as; entry-exit locked, entry free-exit locked, or entry locked-exit free. Free passage in chosen direction by manual override key in fail secure option is available.	
Weight	~560 kg	
Optional Features and Accessories	Motor driven unit, wireless remote control (receiver-transmitter), manual control, manual override key (with fail secure option), counter (with/without reset), card reader mounting bracket, passage completion sensor, contactless passage sensor (for motorized models), heater positive, bottom plate (standard or for forklift handling), battery back-up, 316 grade stainless steel, RS232-RS485-TCP/IP modules, limiter.	





Dimensions (mm)



Technical Features

Place of Use	Indoors, (opt. outdoors)				
Operating Temperature, Humidity	-20°C/+68°C (opt. -50°C with heater positive), RH 95% non-condensing.				
Operating Intensity	100%, 7/24 use.				
Body / Wing Features	<p>Built on stainless steel main carrier beams, supported with box beams on sides, contains rounded glass walls, protecting top lid, mechanical compartment side panels and completely closed ceiling. The mechanics compartment is accessible from the ceiling. Contains four-wings rotor (90°).</p> <table border="1"> <tr> <td>Body</td> <td>304 grade (opt. 316 grade)* stainless steel body and 4+4 mm laminated glass walls.</td> </tr> <tr> <td>Wings</td> <td>12 mm tempered glass mounted on 304 grade (opt. 316 grade)* stainless steel rotor.</td> </tr> </table> <p>(*) Finishing : Orbital brushed matt.</p>	Body	304 grade (opt. 316 grade)* stainless steel body and 4+4 mm laminated glass walls.	Wings	12 mm tempered glass mounted on 304 grade (opt. 316 grade)* stainless steel rotor.
Body	304 grade (opt. 316 grade)* stainless steel body and 4+4 mm laminated glass walls.				
Wings	12 mm tempered glass mounted on 304 grade (opt. 316 grade)* stainless steel rotor.				
Indicators / Illumination	Status - Direction Indicators : LED, standard/LED passageway illumination standard.				
Power	Operating Voltage : 110/220V AC 50/60 Hz. (±10%), 24V DC. Consumption : ~14W at stand-by, max ~50W (varies according to the options and accessories used).				
Operating Modes	System operates bi-directionally (entry-exit). Operation modes can be changed through dip switch, IOS and/or android app. Entry - exit controlled Entry controlled, exit free Entry free, exit controlled Single input both directions use Entry - exit free				
Operating System	Electromechanical manual operation (opt. electromechanical motorized operation).				
Control System	All functions, parameters and operating modes can be changed through the control board (microprocessor controlled), IOS and/or android app. Firmware can be updated. All past function updates and changes are kept in the server and records can be traced. All inputs are opto-coupler protected. Controllable by dry contact (ground control). Compatible with all kinds of access control device. Optional RS232, RS485 or TCP/IP module is available.				
Flow Rate	Passage capacity (manual) : max. 30 cycle/min. Nominal : ~20 pass/min. Passage capacity (motorized) : max. 20 cycle/min. Nominal : ~15 pass/min. (nominal passage rate can change depending on the access control system utilized)				
Emergency Mode	System allows free passage (entry-exit) in both directions (fail safe). Works compatible with fire warning and similar systems. At the end of an emergency situation, system returns to its normal operating mode.				
Power-off Situation	System allows free passage (entry-exit) in both directions (fail safe). Optionally, can be set (fail secure) as; entry-exit locked, entry free-exit locked, or entry locked-exit free. Free passage in chosen direction by manual override key in fail secure option is available.				
Weight	~590 kg				
Optional Features and Accessories	Motor driven unit, wireless remote control (receiver-transmitter), manual control, manual override key (with fail secure option), counter (with/without reset), card reader mounting bracket, passage completion sensor, contactless passage sensor (for motorized models), heater positive, bottom plate (standard or for forklift handling), battery back-up, 316 grade stainless steel, RS232-RS485-TCP/IP modules, limiter.				





الأحوال المدنية

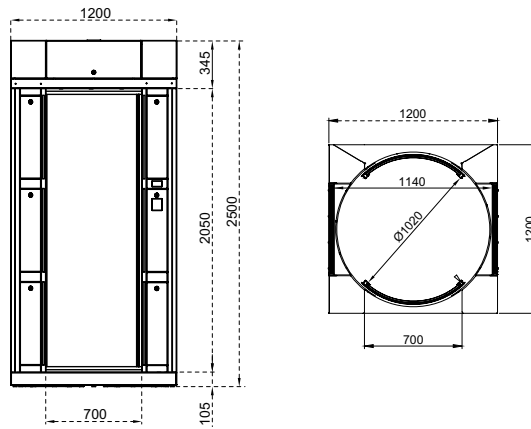
HIGH SECURITY SERIES

112 CGG - SQ - AIR

CGG - SQ - AIR



Dimensions (mm)



Technical Features

Place of Use	Indoors
Operating Temperature, Humidity	-20°C/+68°C (opt. -50°C with heater positive), RH 95% non-condensing.
Operating Intensity	100%, 7/24 use.

Made of 4 supporting main carrier columns placed on the lower chassis, glass walls and a completely closed ceiling with 2 lockable lids. Main carrier columns consist of 3 sections designed for installation of electronic system, card reader and access control systems. Optionally, a control point is available for real person verification (with biometric reader systems) with a column mounted in the passage corridor.

System has a rotating door structure independently on the entry and exit sides consisting of box profiles and rounded glass walls on the edges.

Body / Door Features

Gate is furnished with anti-tightening feature by rubber seals with pneumatic pressure sensor on glass doors and electronic torque control.

Body	Electrostatic powder coated (RAL 7021) steel body, 4+4 mm laminated glass (opt. BR class bullet-proof glass) walls.
Doors	Electrostatic powder coated (RAL 7021) aluminium beams, 4+4 mm rounded laminated glass (opt. BR class bullet-proof glass).

(*) Finishing : Orbital brushed matt.

Indicators / Illumination	Status - Direction Indicators : DOT MATRIX and strip LED, standard / LED interior illumination standard.
----------------------------------	-----------------------------------------------------------------------------------------------------------------

Power	Operating Voltage : 110/220V AC 50/60 Hz. (%±10), 24V DC. Consumption : ~40W at stand-by, max ~130W (varies according to the options and accessories used).
--------------	------------------------------------------------------------------------------------------------------------------------------------------------------------------------------

System operates bi-directionally (entry-exit).

Operation modes can be changed through dip switch, IOS and/or android app.

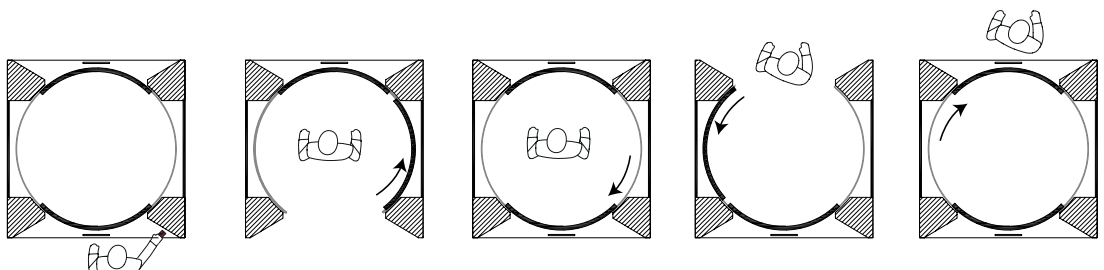
Operating Modes

Entry - exit controlled Entry controlled, exit free Entry free, exit controlled
Entry - exit free Entry-exit internal biometric control mode
Can be customised for site specific access algorithms.

Operating System

Electromechanical motorised doors are closed for both ways at stand-by (opt. open for one direction).

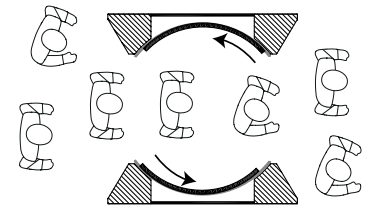
Person requests authorisation from the access control device (3rd party device) connected to the gate's entry system. Upon authorisation, first door opens allowing person enter inside. First door closes upon detection of the person inside by the weight sensor on the gate floor (in case the person do not enter, door closes at the end of time-out set previously). At both doors in closed position, weight sensors (load cells) once more control the presence of the person inside. Second doors opens in case there is a person inside and if he is authorised for access (otherwise, second door never opens, gate returns the person to his entry direction or keeps the person locked inside). Upon exit of the person, second door closes and systems returns to stand-by for next passage.



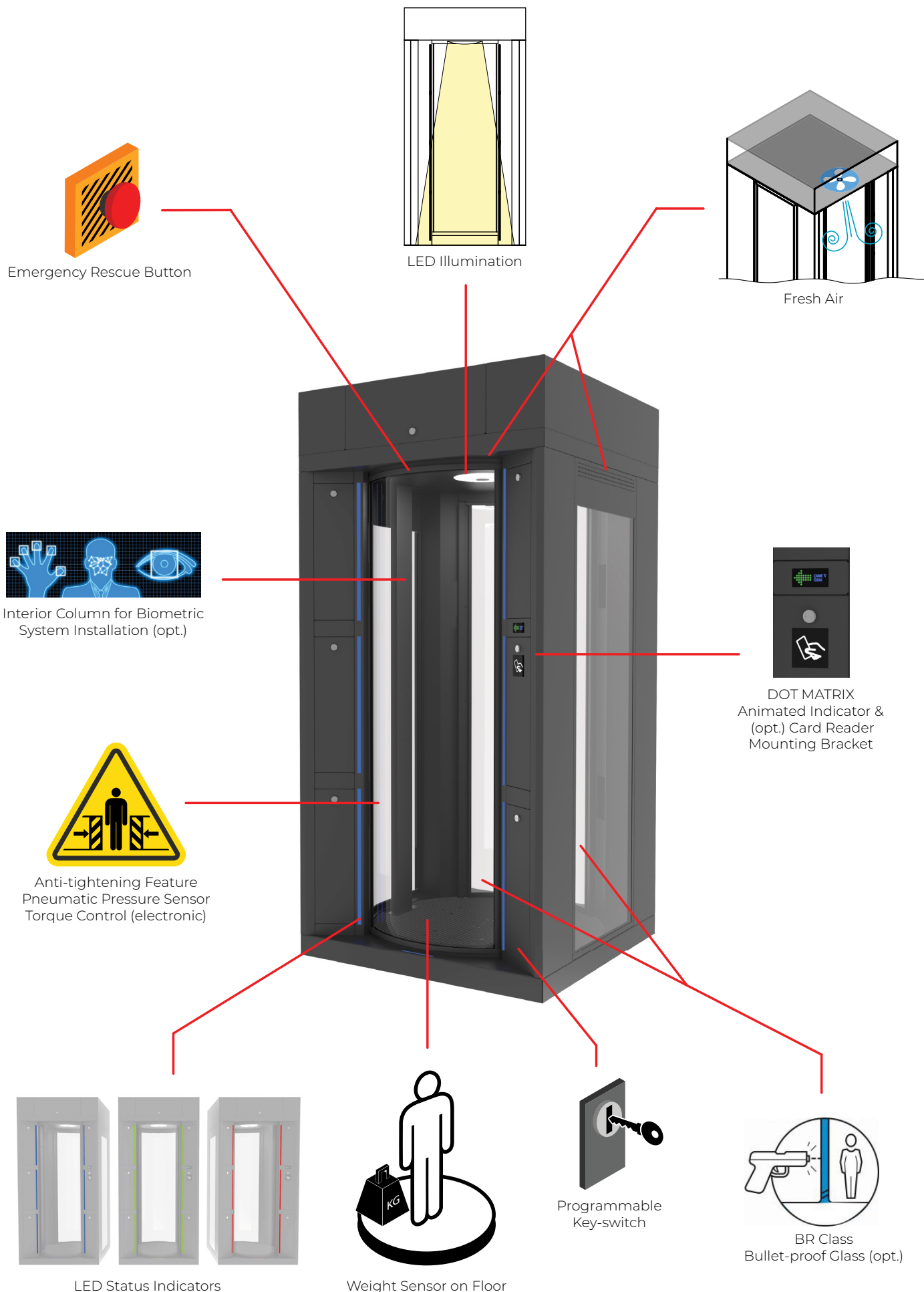
Optionally, a control point is available for real person verification (with 3rd party product biometric reader systems) with a column mounted in the passage corridor. Upon presence inside and at doors closed position, person requests a second authorisation and according to the authorisation, the second door opens and person completes his passage or returns to his entry direction. At the end of the process, door returns to stand-by position and remains locked.

In case of pushing the emergency rescue button inside the cabin, the entry door opens (or can be programmed for another action). Gate generates audio and/or visual alarm or relay output in cases of; passage can not be completed on time, the door is forced, presence of more than one person inside is detected, non-authorisation, the emergency rescue button is pushed, an unsolicited situation detected by the sensors.

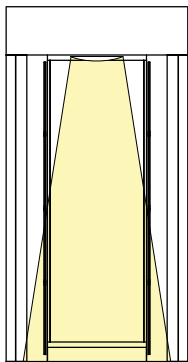
Control System	<p>All functions, parameters and operating modes can be changed through the control board (microprocessor controlled), IOS and/or android app. Firmware can be updated. All past function updates and changes are kept in the server and records can be traced.</p> <p>All inputs are opto-coupler protected.</p> <p>Controllable by dry contact (ground control).</p> <p>Compatible with all kinds of access control device.</p> <p>Optional RS232, RS485 or TCP/IP module is available.</p> <p>Gate operates by a position controlled (by encoder) motor driven and electronic torque controlled system.</p> <p>Functions such as all sensors, motor, indicators, passage scenarios and alarms are controlled by the electronic control unit containing a programmable microprocessor. Thanks to the microprocessors, no re-setting is necessary in case of a power failure. Electronic control unit is placed into the main carrier columns of the gate.</p> <p>Passage can be restricted externally by enable/disable feature even though access authorisation has been granted.</p> <p>Gate has a vibration resistant, microprocessor controlled, industrial design adaptable to meet any user demand. Motor driven, two independent mechanics systems are controlled by a single electronic control unit.</p> <p>Rotation speed and limitations of the doors are managed by encoder controlled P.I.D. system. Rotation speeds are continuously checked with the feedback from the encoder and motor driver card keeps the speed at the same level preventing slower or faster rotation.</p> <p>An electronic control card controlling the mechanics regulates all movements and outputs and in case of need a 485 output is optionally available for PC.</p>
Flow Rate	<p>Passage capacity (motorized) : ~4 person/min.</p> <p>(Passage capacity can change depending on the access control system utilized)</p>
Emergency Mode	<p>Both doors open automatically and system allows free passage (entry-exit) in both directions (fail safe). Works compatible with fire warning and similar systems. At the end of an emergency situation, system returns to its normal operating mode.</p>
Power-off Situation	<p>System allows free passage (entry-exit) in both directions (fail safe) by pushing the doors manually. Optionally, can be set entry-exit locked (fail secure). Free passage by manual override key in fail secure option is available.</p>
Weight	<p>~460 kg</p>
Safety	<p>Moving doors contain pneumatic soft pressure sensors. In addition to pneumatic sensors, electronic torque control feature has been added.</p> <p>Continuous fresh air ventilation is provided in the passage area.</p>
Cleaning, Maintenance, Manual Interference	<p>Gate is furnished by a programmable key switch button on one side of the gate adjacent to the door.</p> <p>This button is programmable for the function desired by the user and set as default for opening one door for cleaning-maintenance or can be programmed for various requirements (i.e. manually evacuation of the person inside, unlocking of 1st or 2nd door, etc).</p>
Optional Features and Accessories	<p>Interior biometric system mounting column, card reader mounting bracket, mounting/connection guide for any type of safety sensors and detectors, BR class bullet-proof glass, different color options, manual override key (with fail secure option), heater positive, battery back-up, RS232-RS485-TCP/IP modules, limiter, motorized card collector unit and card collection box.</p>



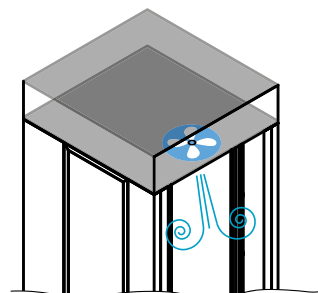




Emergency Rescue Button



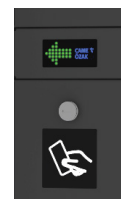
LED Illumination



Fresh Air



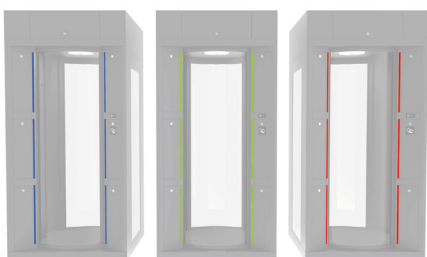
Interior Column for Biometric System Installation (opt.)



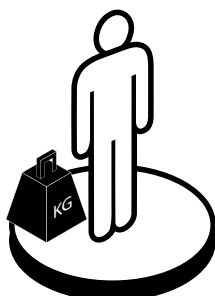
DOT MATRIX Animated Indicator & (opt.) Card Reader Mounting Bracket



Anti-tightening Feature
Pneumatic Pressure Sensor
Torque Control (electronic)



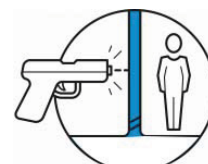
LED Status Indicators



Weight Sensor on Floor



Programmable Key-switch



BR Class Bullet-proof Glass (opt.)



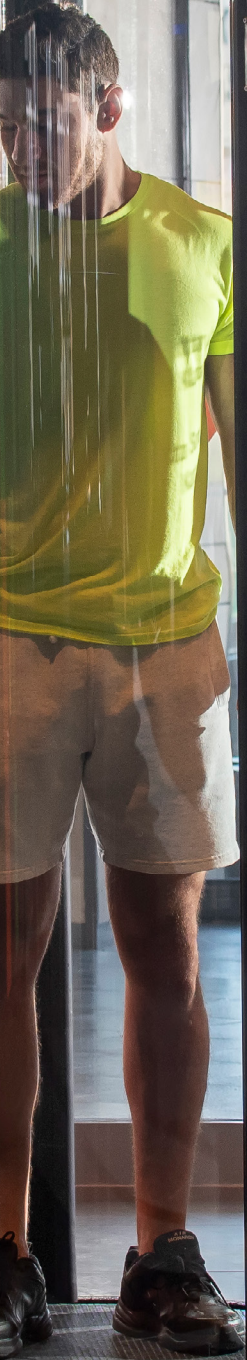
UYGUN
DİĞER KİMLİKLERİ
KULLANMAYI
KESİMLİĞİ
KULLANMAYI
KESİMLİĞİ



**KAPİYİ
AÇMAK İÇİN**

- 1. SİF
RENİ
GİR
- 2. AYDÜ
İÇİNİ
OKUT

SAĞ
KAPISINI
AÇMAK İÇİN



Hattis iei Aqlıg: 07.00
Kıbaııg: 23.00
Hattis 2ııı Aqlıg: 08.00
Kıbaııg: 23.00

LETTI FAN
17% BÜYÜKLEME
KAPALI ADRESLER
KAPALI ZEMİN
KAPALI DİREKLER



**KAPIYI
AÇMAK İÇİN**

1. ŞİF-
RENİ
GİR
2. AVUÇ
İÇİNİ
OKUT

ACCESSORIES



Automatic Drop (Retractable) Arm



Manual Controls



Counter



Coin Mechanism



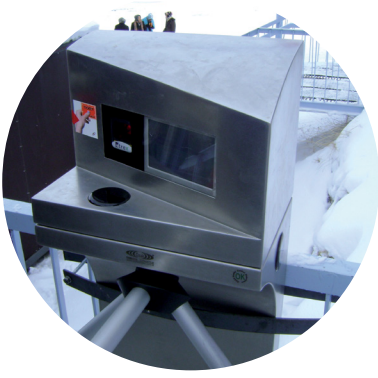
Card Reader Mounting Poles



Card Reader Mounting Brackets



CUSTOMISATIONS



CAME  **ÖZAK**

CAME ÖZAK

ÖZAK GEÇİŞ TEKNOLOJİLERİ

SAN. TİC. A.Ş.

Köseköy, Çuhane Cd.
N:130 41080 Kartepe
Kocaeli / TÜRKİYE
Tel.: +90 262 373 48 48

CORPORATE HEADQUARTERS

CAME S.p.A.

Via Martiri della Libertà, 15
31030 Dosson di Casier
Treviso - ITALY

MANUFACTURING COMPANIES

CAME PARKARE GROUP S.L.

Barcelona, SPAIN

NEPOS SISTEMAS DE CONTROLE E AUTOMAÇÃO EM ESTACIONAMENTO E TRÁFEGO LTDA

São Paulo, BRAZIL

ÖZAK GEÇİŞ TEKNOLOJİLERİ

SAN. TİC. A.Ş.

Kocaeli, TÜRKİYE

COMMERCIAL BRANCHES EUROPE

ITALY

CAME ITALIA S.r.l.
Treviso

BELGIUM

CAME BENELUX S.A.
Lessines

CROATIA

CAME ADRIATIC d.o.o.
Kastav

FRANCE

CAME FRANCE S.A.S.
Paris

GERMANY

CAME DEUTSCHLAND GmbH
Stuttgart

IRELAND

CAME BPT IRELAND LIMITED
Dublin

THE NETHERLANDS

CAME NEDERLAND B.V.
Breda

POLAND

CAME POLAND Sp. z o.o.
Warszawa

PORTUGAL

CAME PORTUGAL,
UNIPESSOAL, LDA
Lisbon

RUSSIA

UMC RUS LLC
Moscow

SPAIN

CAME SPAIN S.A.
Madrid

THE UNITED KINGDOM

CAME BPT UK LIMITED
Nottingham

COMMERCIAL BRANCHES ASIA

U.A.E.

CAME GULF FZCO
Dubai

CHINA

CAME AUTOMATION SYSTEM CO
Shanghai

COMMERCIAL BRANCHES AMERICAS

BRAZIL

CAME DO BRASIL, INDÚSTRIA,
IMPORTAÇÃO, EXPORTAÇÃO,
COMÉRCIO E SERVIÇOS DE
AUTOMAÇÃO LTDA
São Paulo

MEXICO

CAME AUTOMATISMOS §
DE MEXICO S. DE R.L. DE C.V.
Mexico City

PERÚ

CAME PARKARE PERU S.A.C.
Lima

USA

CAME AMERICAS AUTOMATION LLC
Miami, FL

CANADA

CAME CANADA Inc.
Toronto



© DD-1302-0064 R(17) - 2025 - ENGLISH
YOU MAY NOT EVEN PARTIALLY REPRODUCE THIS DOCUMENT.
CAME RESERVES THE RIGHT TO MAKE ANY CHANGES TO THIS DOCUMENT AT ANY TIME.

